

# PARTS CATALOGUE



## MOBILITY SCOOTER

EA10EA(HL)

E-VITALITY



Release Date : 2015/11/09  
Print Date : 2015/11/16

## ABOUT THIS PARTS LIST

- This parts list is compiled all service parts for model EA10EA(HL).
- Any difference between color chart and motorcycle will be revised according to motorcycle.
- The Mark:
  1. Marking "\*\*\*" must add color code in the end before ordering parts.
  2. Marking "#" are parts with modification, Please find the details from e-Parts system.
- When modification or additions to this parts list are made a revised edition at an appropriate time.



# CONTENTS

● ABOUT THIS PARTS LIST .....	1
● COLOR CHART OF EA10EA(HL) .....	3
● CONTENTS-ENGINE GROUP .....	6
● CONTENTS-FRAME GROUP .....	7
● ENGINE PARTS LIST .....	10
● FRAME PARTS LIST .....	14
● PART NO. INDEX .....	66

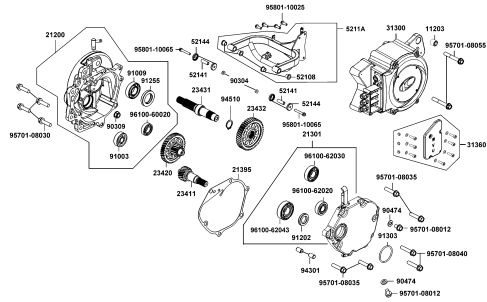
NO	MODEL			COLOR CHART OF EA10EA(HL)			
	PHOTO NO			NO. 1	NO. 2		
	BASIC COLOR			Light Blue Metallic	Brown Crystal		
	CODE			Light Blue Metallic	Brown Crystal		
	PARTS NAME	PARTS NO.	VERSION	PB078MA	YR167MA		
1	COVER HANDLE FRONT	53205-LKJ1-900	1	CGP	YZP		
2	FENDER FRONT	61100-LKJ1-900	0				
3	COVER FRONT	64301-LKJ1-900	0				
4	LID R FR	64313-LKJ1-900	0				
5	LID L FR	64314-LKJ1-900	0				
6	COVER RIGHT BODY	83500-LKJ1-900	1				
7	COVER LIGHT BODY	83600-LKJ1-900	1				
8	GRIP RR	77330-LKJ1-900	2	F1S			
9	HUB SUB COMP RR	42610-KUDU-900	2	N1A			
10	HUB SUB ASSY FR	44610-GLW0-305	2				
11	PANEL ASSY FR BRK	45000-LKJ1-800	1				
12	PANEL COMP FR BRK	45100-LKJ1-800	0				
13	COVER UNDER	50613-LKJ1-900	0				
14	GRIP COMP THROT	53140-GFY6-960	0	N1R			
15	GRIP L HANDLE	53166-GBW2-001	1				
16	COVER HANDLE REAR	53206-LKJ1-900	0				
17	FRONT INNER FENDER	61110-LKJ1-900	0				
18	PANEL FLOOR	64310-LKJ1-900	0				
19	PLUG FLOOR	64316-KHE2-900	1				
20	COWL UNDER	64400-LKJ1-900	0				
21	FENDER REAR TIRE	80100-LKJ1-900	1				
22	FENDER RR UP	80101-LKJ1-900	0				
23	FENDER RR	80105-LKJ1-900	0				
24	COVER CENTER	80151-LKJ1-900	1				
25	LID ASSY LEG SHIELD	81130-LKJ1-900	0				
DATE OF STARTING-SALES							
DATE OF END-SALES							

NO	MODEL			COLOR CHART OF EA10EA(HL)					
	PHOTO NO			NO. 1	NO. 2				
	BASIC COLOR			Light Blue Metallic	Brown Crystal				
	CODE			Light Blue Metallic	Brown Crystal				
	PARTS NAME	PARTS NO.	VERSION	PB078MA	YR167MA				
26	LEG SHIELD	81131-LKJ1-900	2	N1R					
27	HOOK LUGGAGE	81132-LFG6-900	2						
28	COVER INNER CAP LID	81133-LKJ1-900	0						
29	LID LEG SHIELD	81134-LKJ1-900	0						
30	LEG SHIELD UP	81141-LKJ1-900	0						
31	LID LEG SHIELD	81142-KUDU-900	1						
32	LID RIGHT COVER	83510-LKJ1-900	1						
33	LID LIGHT COVER	83610-LKJ1-900	1						
34	COVER RR CENTER	83750-LKJ1-900	1						
35	BAND HARNESS WIRE	90656-KUDU-900	0						
36	RIM COMP RR	42705-LKJ1-900	1				N1S		
37	RIM COMP RR	44705-LKJ1-900	1						
38	MOLDING FR	64302-LKJ1-900	0	N8P					
39	COVER TOP FRONT	64304-LKJ1-900	1						
40	SKIRT R SIDE	64305-LKJ1-900	0						
41	SKIRT L SIDE	64306-LKJ1-900	0						
42	LID RIGHT COVER	83501-LKJ1-900	0						
43	LID LIGHT COVER BODY	83601-LKJ1-900	0						
44	MIRROR ASSY R BACK	88110-LKJ1-900	0						
45	MIRROR ASSY L BACK	88120-LKJ1-900	0						
46	FORK SET RIGHT	51400-LKJ1-800	1				NJA		
47	BOTTOM CASE R	51420-LBC6-800	0						
48	FORK SET LIGHT	51500-LKJ1-800	1						
49	BOTTOM CASE L	51520-LBC6-800	0						
50	LEVER R STRG HANDLE	53175-KGBG-E00	0						
DATE OF STARTING-SALES									
DATE OF END-SALES									



# CONTENTS - ENGINE GROUP

## E01 MotorTransmission


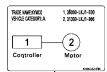








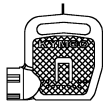







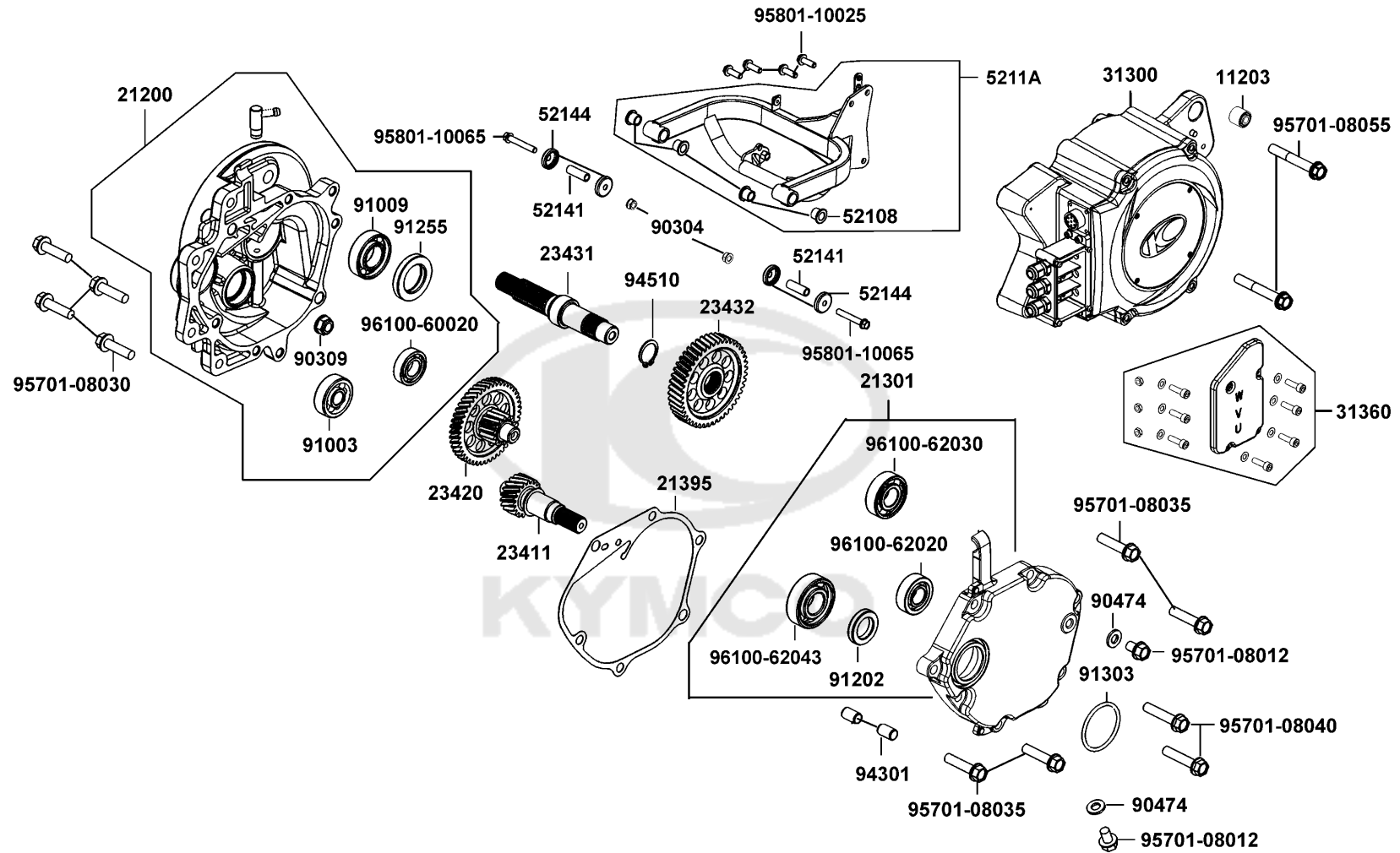


# CONTENTS - FRAME GROUP

F19 Caution Label	F20 EmblemStripe	F21 KEY
<div style="display: flex; justify-content: space-around;"> <div style="text-align: center;">  <p>87505</p> </div> <div style="text-align: center;">  <p>87224</p> </div> </div> <div style="display: flex; justify-content: space-around; margin-top: 20px;"> <div style="text-align: center;">  <p>87541-ALK5</p> </div> <div style="text-align: center;">  <p>87541-LKJ1</p> </div> </div>	<div style="display: flex; justify-content: space-around; margin-bottom: 20px;"> <div style="text-align: center;">  <p>86102-LCA5</p> </div> <div style="text-align: center;">  <p>86102-AAA7</p> </div> </div> <div style="display: flex; justify-content: space-around;"> <div style="text-align: center;">  <p>86201</p> </div> <div style="text-align: center;">  <p>86102-LKJ1</p> </div> </div>	<div style="display: flex; justify-content: space-around; margin-bottom: 10px;"> <p>35111-LDC1-305-M2</p> <p>35111-LDC1-306-M2</p> <p>35111-LDC1-307-M2</p> </div> <div style="display: flex; justify-content: space-around;">    </div>
		

E01

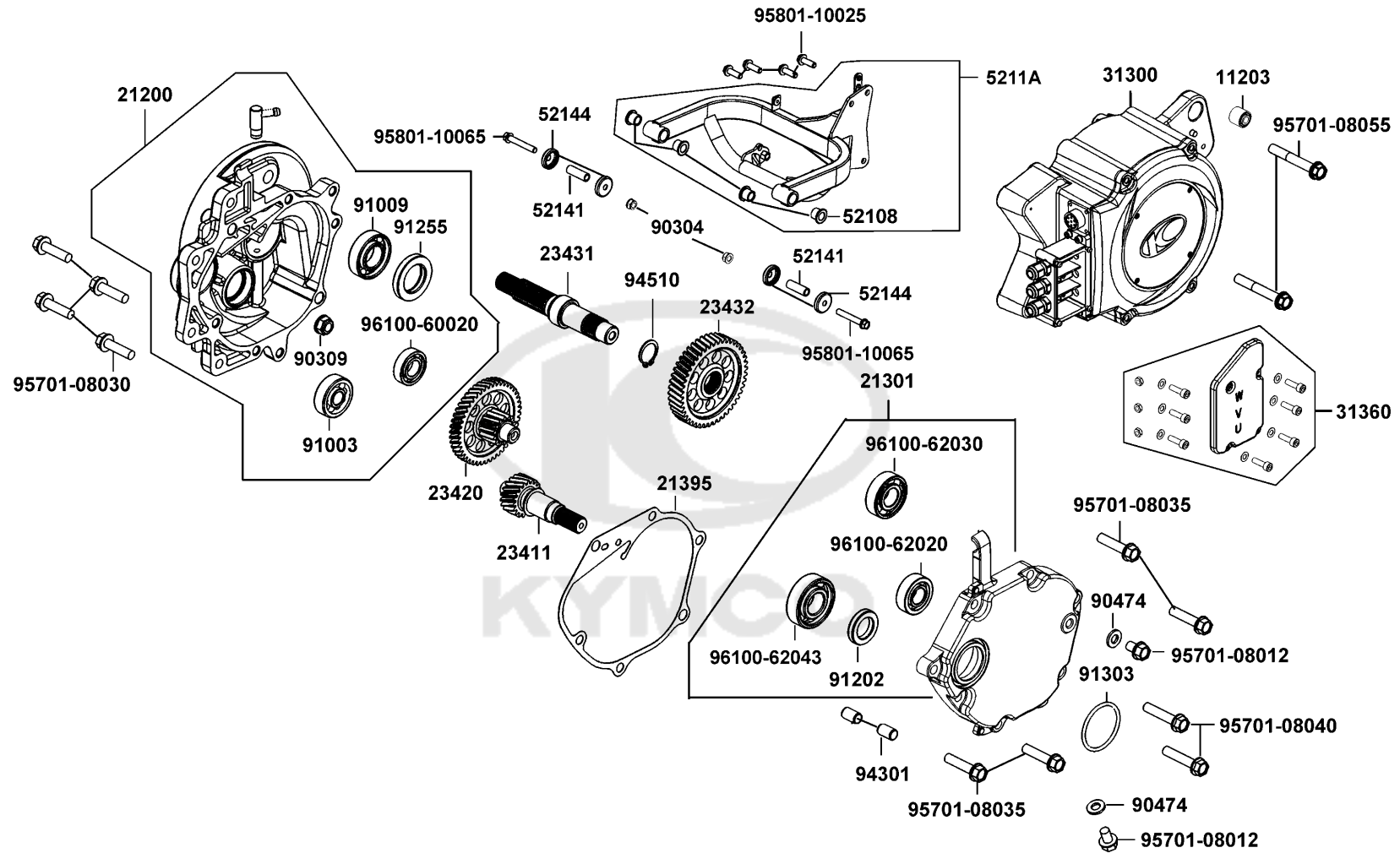
# MotorTransmission



Sales mark	Ref no	Part no	Description	Reg description	Regd no	<b>E01</b>
11203		11203-GGC7-301	UNDER RUBBER BUSH REAR CUSHION	UNDER RUBBER BUSH REAR CUSHION	1	
21200		21200-LKJ1-305	CASE COMP MISSION	CASE COMP MISSION	1	
21301		21301-LKJ1-305	COVER MISSION ASSY	COVER MISSION ASSY	1	
21395		21395-LKJ1-900	GASKET MISSION CASE	GASKET MISSION CASE	1	
23411		23411-LKJ1-900	SHAFT DRIVE	SHAFT DRIVE	1	
23420		23420-LKJ1-900	SHAFT COMP COUNTER 14T/45T	SHAFT COMP COUNTER 14T/45T	1	
23431		23431-LKJ1-900	SHAFT FINAL	SHAFT FINAL	1	
23432		23432-LKJ1-900	GEAR FINAL	GEAR FINAL	1	
31300		31300-LKJ1-900	MOTOR ASSY	MOTOR ASSY	1	
31360		31360-LKJ1-900	PARTS OF MOTOR	PARTS OF MOTOR	1	
52108		52108-LGD8-900	BUSH ARM PIVOT	BUSH ARM PIVOT	4	
5211A		5211A-LKJ1-900	FORK ASSY REAR	FORK ASSY REAR	1	
52141		52141-LKJ1-900	COLLAR REAR FORK	COLLAR REAR FORK	2	
52144		52144-PWB1-900	SEAL SUSPENSION	SEAL SUSPENSION	4	
90304		90304-GLW0-90A	NUT U FLANGE 10MM	NUT U FLANGE 10MM	2	
90309		90309-KLF0-004	NUT FLANGE 8MM	NUT FLANGE 8MM	1	
90474		90474-3C33-001	WASHER 8MM	WASHER 8MM	2	
91003		91003-KDS4-004	BRG BALL RADIAL 6301TMB	BRG BALL RADIAL 6301TMB	1	
91009		91009-GLE0-004	BRG BALL RADIAL 6004 UU	BRG BALL RADIAL 6004 UU	1	
91202		91202-KKJ9-004	OIL SEAL 20*32*6	OIL SEAL 20*32*6	1	

E01

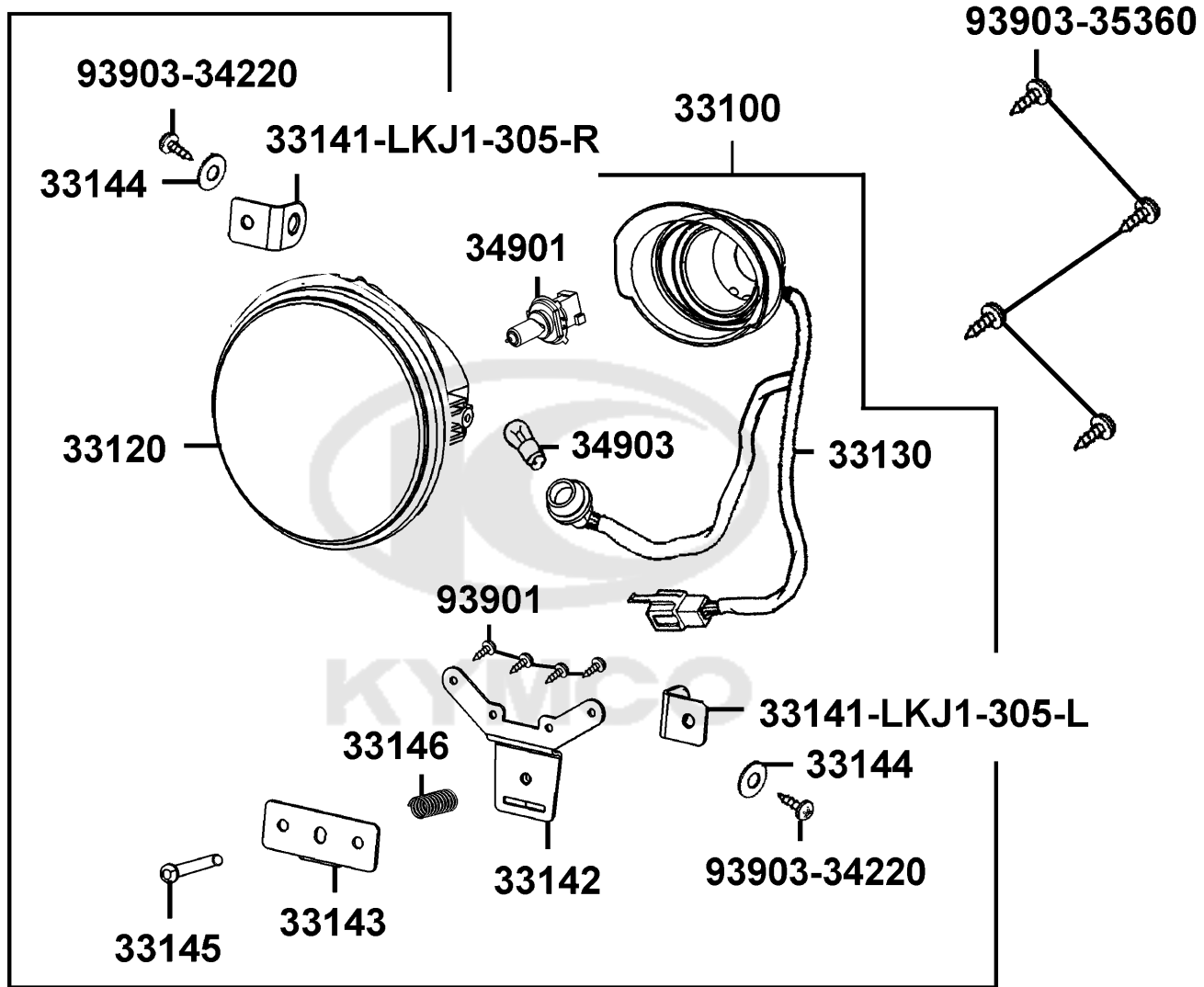
# MotorTransmission



Sales mark	Ref no	Part no	Description	Reg description	Regd no	<b>E01</b>
91255		91255-GLE0-006	OIL SEAL 27*42*7	OIL SEAL 27*42*7	1	
91303		91303-LHF3-E00	O-RING 40*3	O-RING 40*3	1	
94301		94301-10160	DOWEL PIN 10*16	DOWEL PIN 10*16	2	
94510		94510-20000	CIR CLIP EX 20	CIR CLIP EX 20	1	
95701-08012		95701-08012-06	BOLT FLANGE 8*12	BOLT FLANGE 8*12	1	
95701-08030		95701-08030-06	BOLT FLANGE 8X30	BOLT FLANGE 8X30	1	
95701-08035		95701-08035-06	BOLT FLANGE 8*28	BOLT FLANGE 8*28	1	
95701-08040		95701-08040-06	BOLT FLANGE 8x40 (G)	BOLT FLANGE 8x40 (G)	1	
95701-08055		95701-08055-06	BOLT FLANGE 8*55	BOLT FLANGE 8*55	2	
95801-10025		95801-10025-06	BOLT FLANGE 10*25	BOLT FLANGE 10*25	4	
95801-10065		95801-10065-06	BOLT FLANGE 10*65	BOLT FLANGE 10*65	1	
96100-60020		96100-60020-00	BRG BALL RADIAL 6002	BRG BALL RADIAL 6002	1	
96100-62020		96100-62020-00	BEARING BALL RADIAL 6202	BEARING BALL RADIAL 6202	1	
96100-62030		96100-62030-00	BRG BALL RADIAL 6203	BRG BALL RADIAL 6203	1	
96100-62043		96100-62043-00	BEARING BALL RADIAL 6204	BEARING BALL RADIAL 6204	1	

F01

Head Light

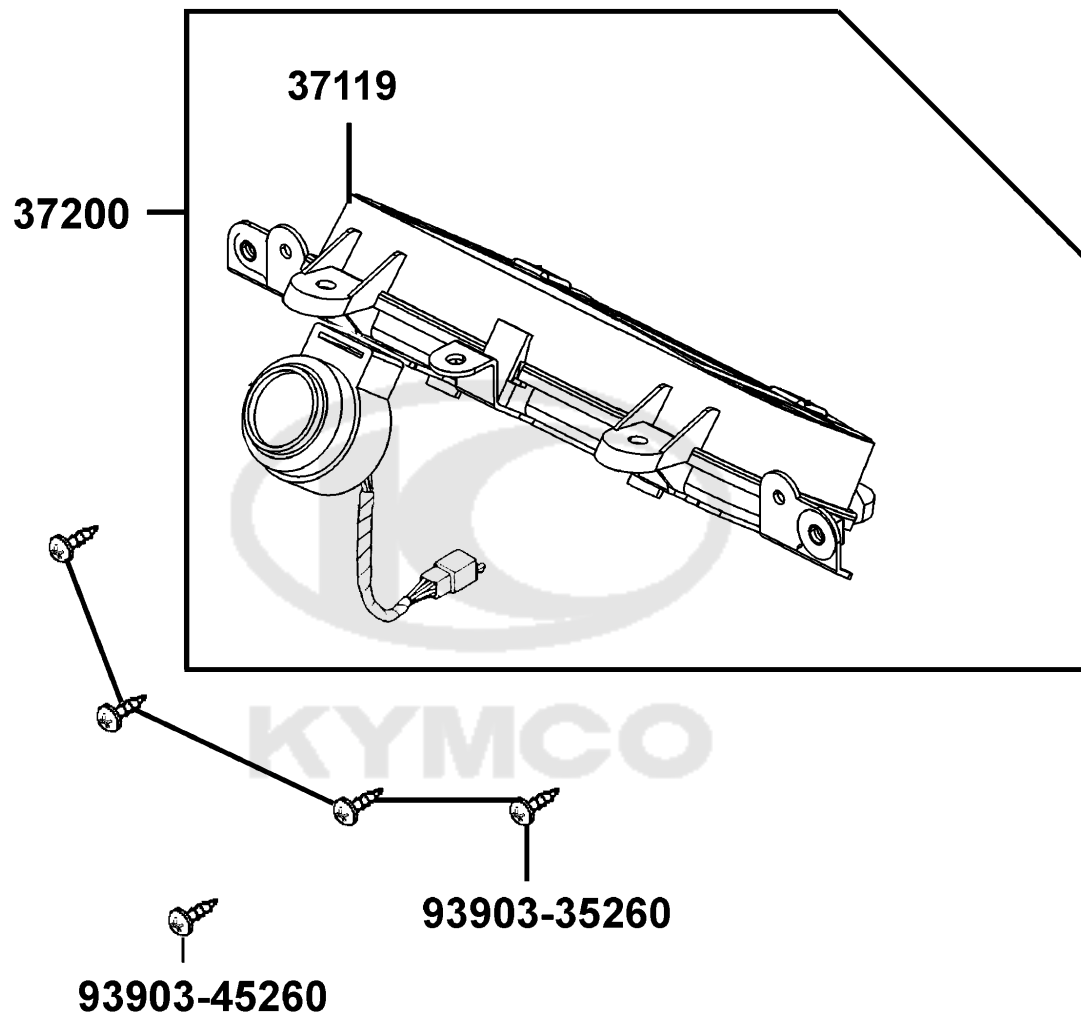


Sales mark	Ref no	Part no	Description	Reg description	Regd no	F01
	33100	33100-LKJ1-900	LIGHT ASSY HEAD	LIGHT ASSY HEAD	1	
	33120	33120-PRB3-900	UNIT HEAD LIGHT	UNIT HEAD LIGHT	1	
	33130	33130-LKJ1-305	SOCKET COMP	SOCKET COMP	1	
	33141-LKJ1-305-L	33141-LKJ1-305-L	PLATE FIXED L	PLATE FIXED L	1	
	33141-LKJ1-305-R	33141-LKJ1-305-R	PLATE FIXED R	PLATE FIXED R	1	
	33142	33142-LKJ1-305	PLATE ADJUST A	PLATE ADJUST A	1	
	33143	33143-LKJ1-305	PLATE ADJUST B	PLATE ADJUST B	1	
	33144	33144-LKJ1-305	WASHER	WASHER	2	
	33145	33145-LKJ1-305	SCREW BEAM ADJUST	SCREW BEAM ADJUST	1	
	33146	33146-LKJ1-305	SPING BEAM ADJUST	SPING BEAM ADJUST	1	
	34901	34901-KFA6-900	BULB HEAD LIGHT	BULB HEAD LIGHT	1	
	34903	34903-KPCP-900	BULB POSITION LIGHT 12V5W **KCP-	BULB POSITION	1	
	93901	93901-32110	SCREW TAPPING 3*8	SCREW TAPPING 3*8	4	
	93903-34220	93903-34220	SCREW TAPPING 4*10	SCREW TAPPING 4*10	2	
	93903-35360	93903-35360	SCREW TAPPING 5*16	SCREW TAPPING 5*16	4	



F02

Speedometer



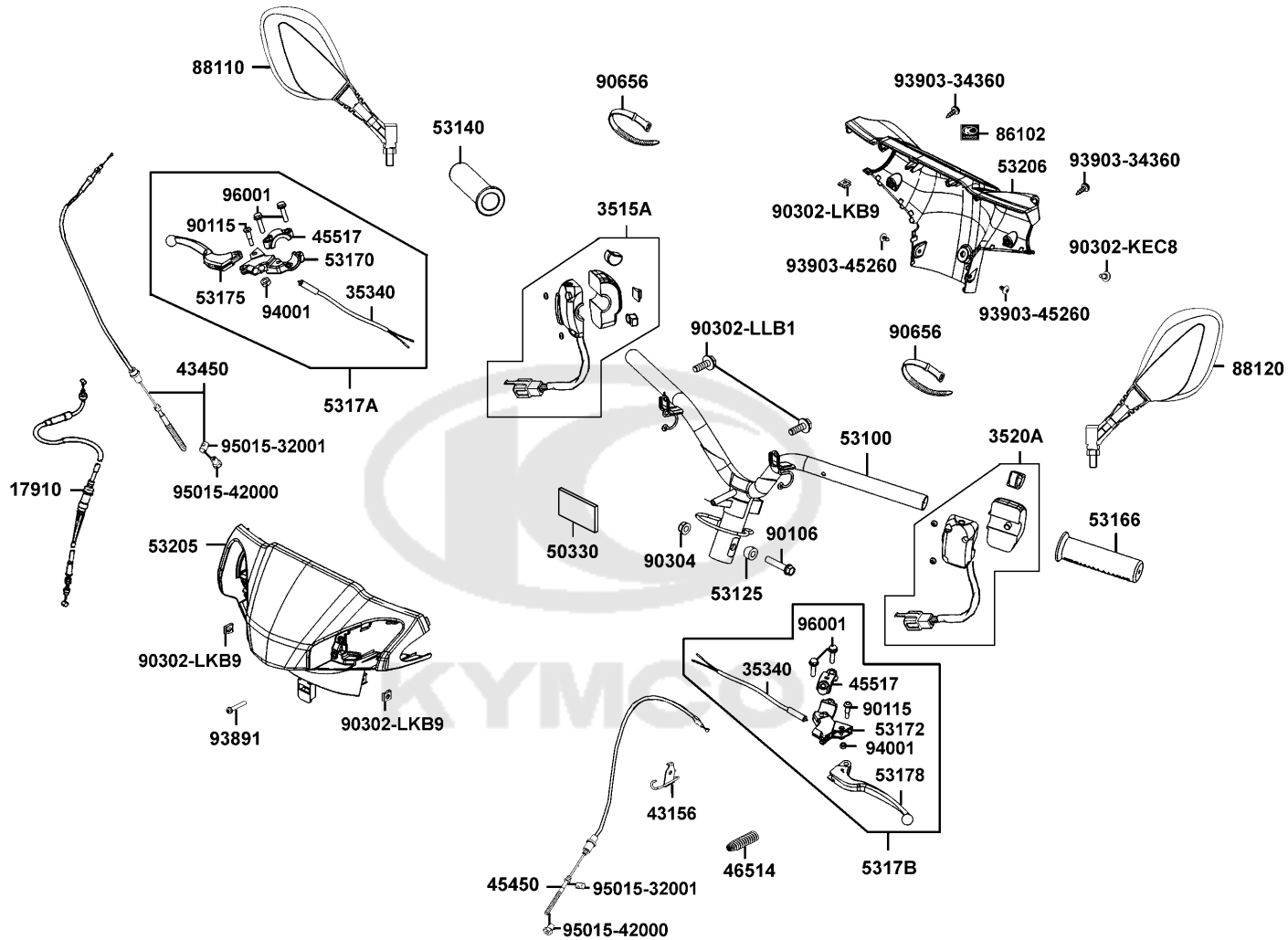
Sales mark	Ref no	Part no	Description	Reg description	Regd no	<b>F02</b>
------------	--------	---------	-------------	-----------------	---------	------------

37119	37119-LKJ1-900	37119-LKJ1-900	LENS ASSY	LENS ASSY	1	
37200	37200-LKJ1-900	37200-LKJ1-900	METER ASSY SPEED	METER ASSY SPEED	1	
93903-35260	93903-35260	93903-35260	SCREW TAPPING 5*12	SCREW TAPPING 5*12	4	
93903-45260	93903-45260	93903-45260	SCREW TAPPING 5*12	SCREW TAPPING 5*12	1	



F03

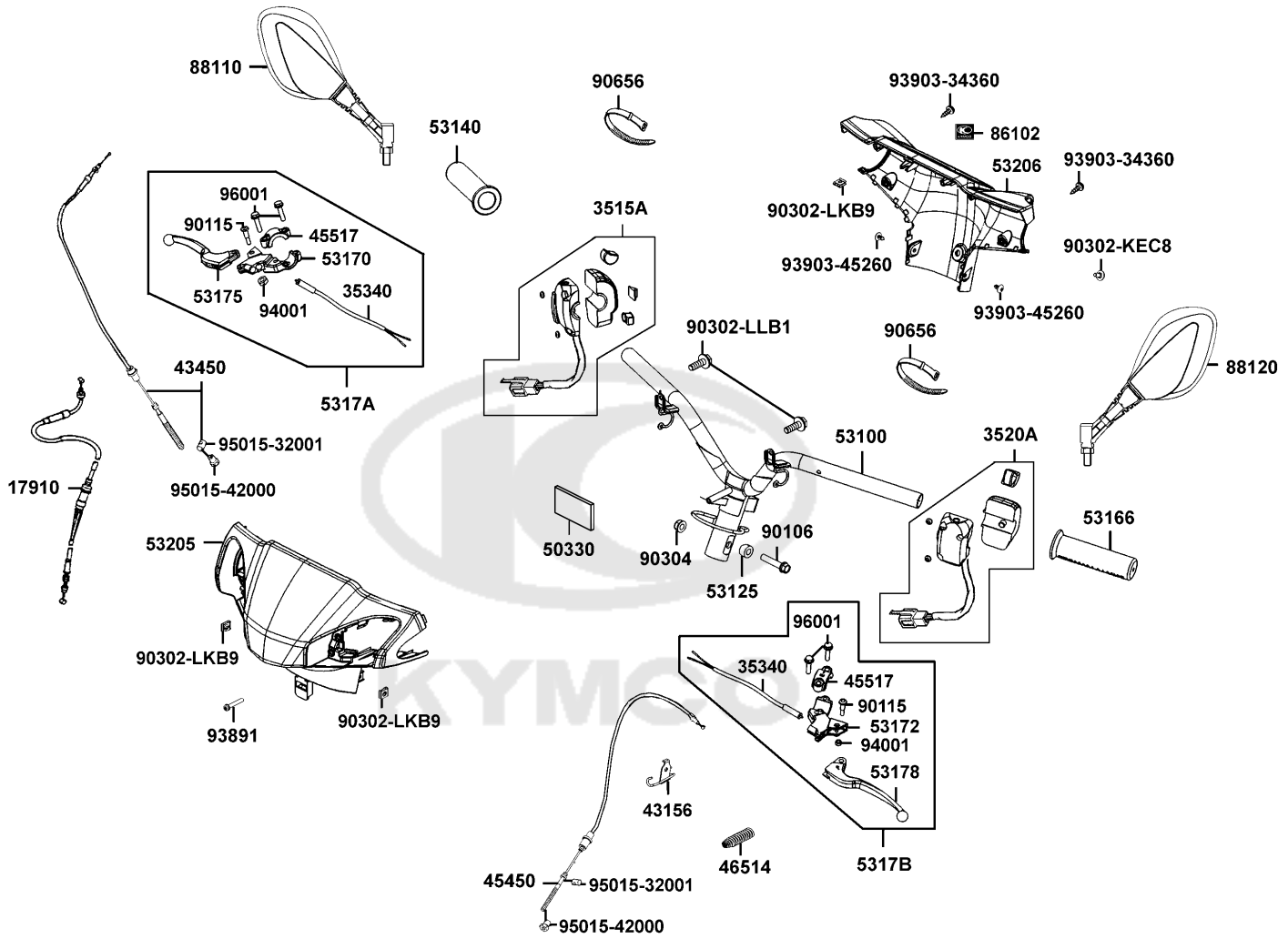
# CableSwitchLever Strg Hndl



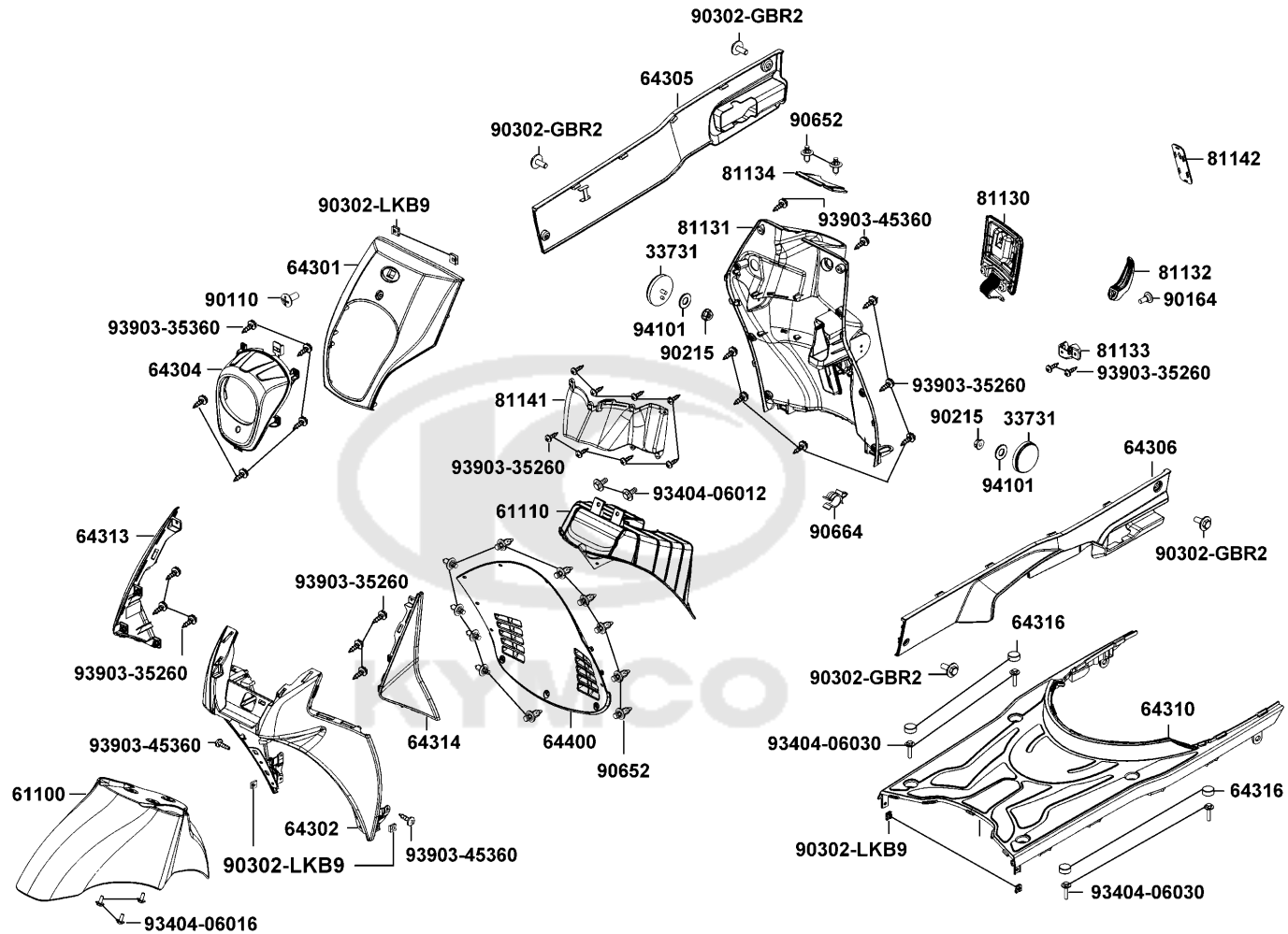
Sales mark	Ref no	Part no	Description	Reg description	Regd no	F03
	17910	17910-LKJ1-900	CABLE COMP THROT	CABLE COMP THROT	1	
	3515A	3515A-LKJ1-900	SW ASSY RH HNDL COMP	SW ASSY RH HNDL COMP	1	
	3520A	3520A-LKJ1-900	SW ASSY LH HANDLE COMP	SW ASSY LH HANDLE COMP	1	
	35340	35340-KKJ9-010	SW ASSY FR STOP	SW ASSY FR STOP	2	
	43156	43156-LKJ1-900	CLAMPER RR BRK HOSE	CLAMPER RR BRK HOSE	1	
	43450	43450-LKJ1-900	CABLE COMP REAR BRAKE	CABLE COMP REAR BRAKE	1	
	45450	45450-LKJ1-900	CABLE COMP FR BRK	CABLE COMP FR BRK	1	
	45517	45517-GFY6-900	HOLDER HNDL BRKT	HOLDER HNDL BRKT	2	
	46514	46514-LKJ1-900	SPG BRK ARM	SPG BRK ARM	1	
	50330	50330-ALK5-900	PONGE BATTERY	PONGE BATTERY	1	
	53100	53100-LKJ1-900	HANDLE COMP STRG	HANDLE COMP STRG	1	
	53125	53125-GEN5-901	COLLAR HANDLE SET	COLLAR HANDLE SET	1	
**	53140	53140-GFY6-960	GRIP COMP THROT	GRIP COMP THROT	1	
**	53166	53166-GBW2-001	GRIP L HANDLE	GRIP L HANDLE	1	
	53170	53170-KTCT-800	BRKT HANDLE R	BRKT HANDLE R	1	
	53172	53172-KTCT-900	BRKT HNDL L	BRKT HNDL L	1	
**	53175	53175-KGBG-E00	LEVER R STRG HNDL	LEVER R STRG HNDL	1	
**	53178	53178-KGBG-E00	LEVER L STRG HNDL	LEVER L STRG HNDL	1	
	5317A	5317A-KGBG-E00	BRKT ASSY HNDL R	BRKT ASSY HNDL R	1	
	5317B	5317B-KGBG-E00	BRKT ASSY HNDL L	BRKT ASSY HNDL L	1	

F03

# CableSwitchLever Strg Hndl

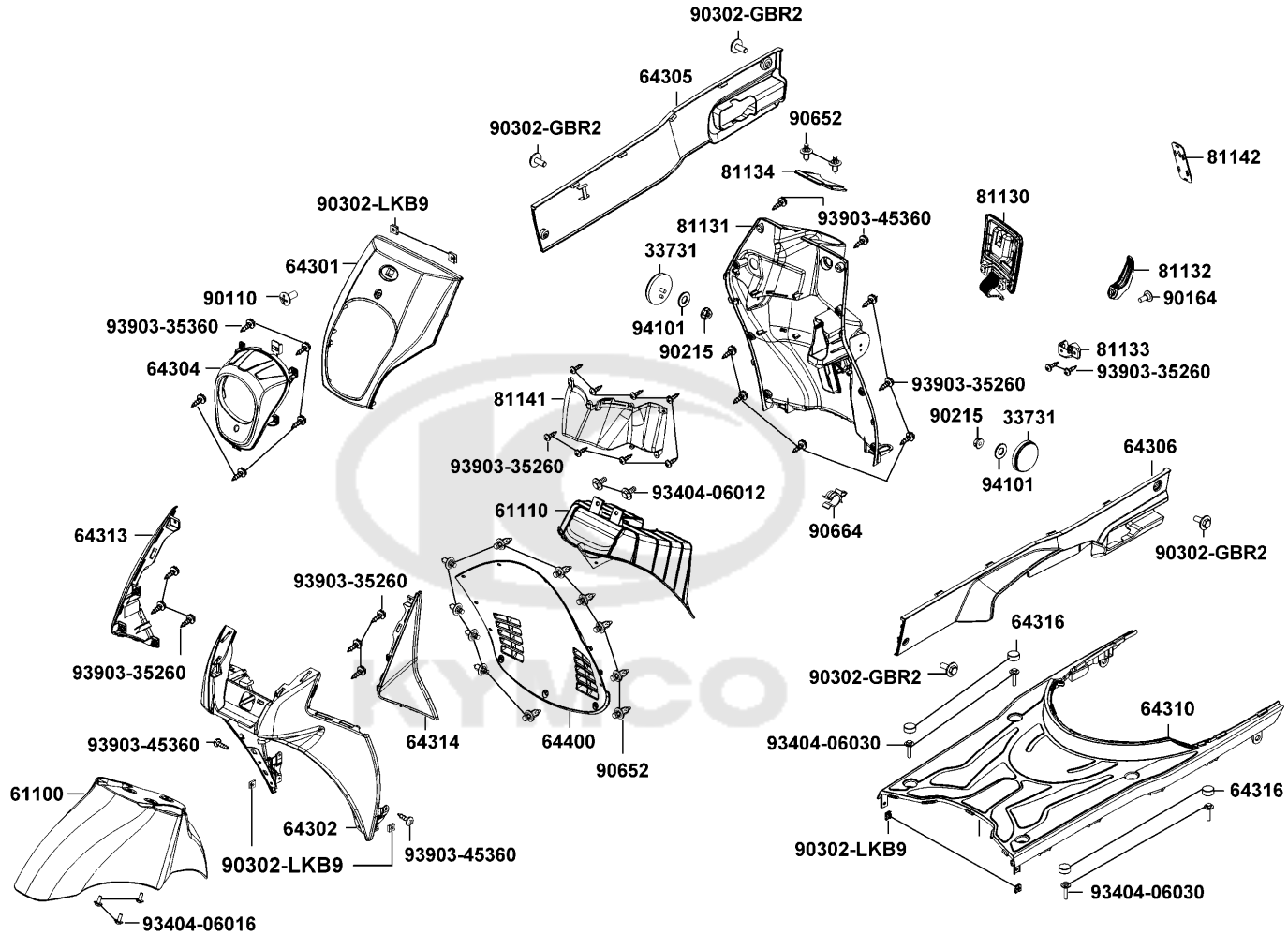


Sales mark	Ref no	Part no	Description	Reg description	Regd no	F03
**	53205	53205-LKJ1-900	COVER HANDLE FRONT	COVER HANDLE FRONT	1	
**	53206	53206-LKJ1-900	COVER HANDLE REAR	COVER HANDLE REAR	1	
**	86102	86102-LKJ1-900	EMB K-LOGO	EMB K-LOGO	1	
**	88110	88110-LKJ1-900	MIRROR ASSY R BACK	MIRROR ASSY R BACK	1	
**	88120	88120-LKJ1-900	MIRROR ASSY L BACK	MIRROR ASSY L BACK	1	
	90106	90106-GEN5-901	BOLT FLANGE 10*50	BOLT FLANGE 10*50	1	
	90115	90115-GLE0-001	BOLT HNDL LEVER PIVOT	BOLT HNDL LEVER PIVOT	2	
	90302-KEC8	90302-KEC8-900	BOLT PAN 5*9	BOLT PAN 5*9	1	
	90302-LKB9	90302-LKB9-900	NUT SPRING 5MM	NUT SPRING 5MM	3	
#	90302-LLB1	90302-LLB1-E00	BOLT-WASHER 5*12	BOLT-WASHER 5*12	2	
	90304	90304-GHE8-004	NUT U 10MM **GE8-0040 C.2005.03.01	NUT U 10MM	1	
	90656	90656-KCBC-900	BAND OIL HANDLE	BAND OIL HANDLE	2	
	93891	93891-05030-06	SCREW WASHER 5*30	SCREW WASHER 5*30	1	
	93903-34360	93903-34360	SCREW TAPPING 4*12 (G)	SCREW TAPPING 4*12 (G)	2	
	93903-45260	93903-45260	SCREW TAPPING 5*12	SCREW TAPPING 5*12	2	
	94001	94001-05080-0S	NUT HEX 5MM	NUT HEX 5MM	2	
	95015-32001	95015-32001	JOINT B BRAKE ARM	JOINT B BRAKE ARM	1	
	95015-42000	95015-42000	NUT B ADJUST	NUT B ADJUST	1	
	96001	96001-06025-06	BOLT FLANGE SH 6*25	BOLT FLANGE SH 6*25	4	

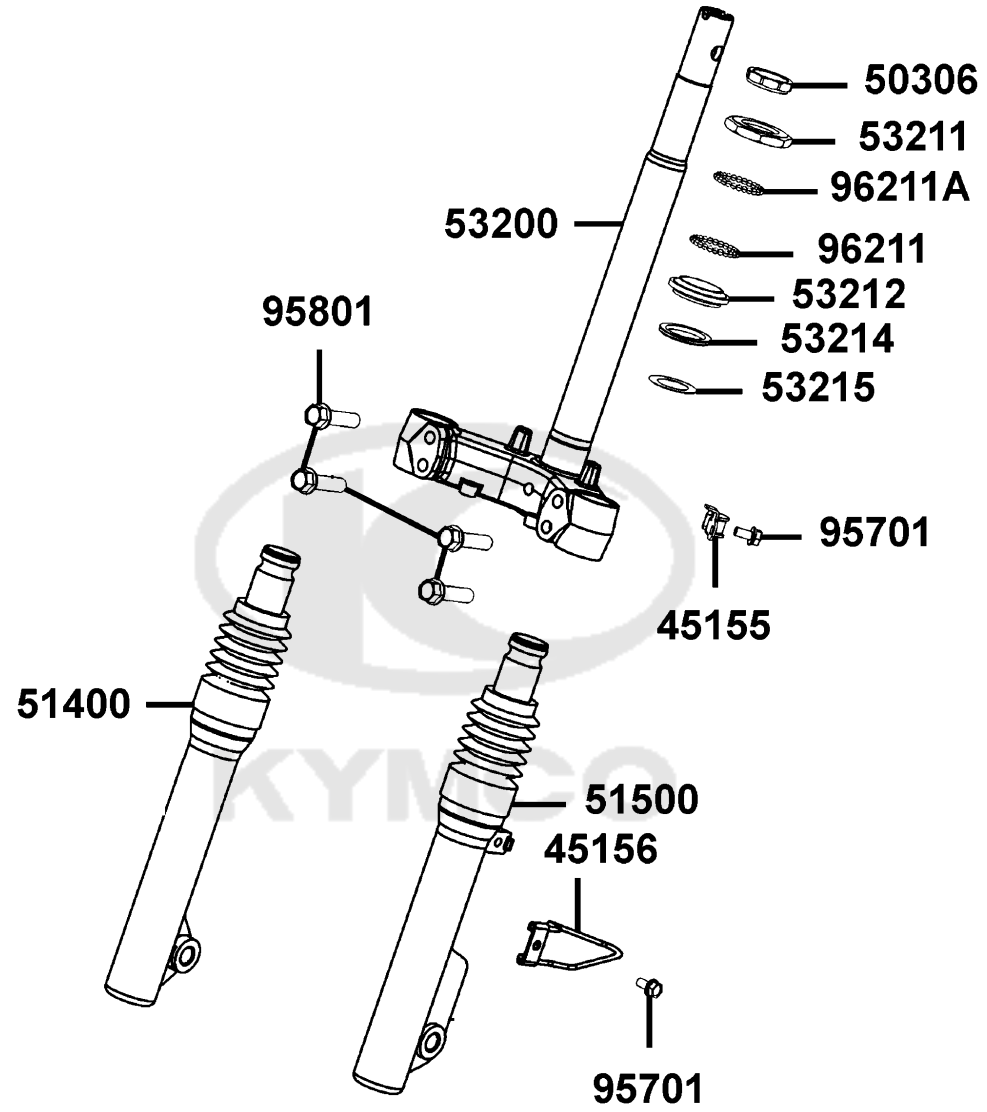


Sales mark	Ref no	Part no	Description	Reg description	Regd no	F04
	33731	33731-KHC5-M00	REFLEX REFLECTOR (AMBER)	REFLEX REFLECTOR (AMBER)	2	
**	61100	61100-LKJ1-900	FENDER FRONT	FENDER FRONT	1	
**	61110	61110-LKJ1-900	FRONT INNER FENDER	FRONT INNER FENDER	1	
**	64301	64301-LKJ1-900	COVER FRONT	COVER FRONT	1	
**	64302	64302-LKJ1-900	MOLDING FR	MOLDING FR	1	
**	64304	64304-LKJ1-900	COVER TOP FRONT	COVER TOP FRONT	1	
**	64305	64305-LKJ1-900	SKIRT R SIDE	SKIRT R SIDE	1	
**	64306	64306-LKJ1-900	SKIRT L SIDE	SKIRT L SIDE	1	
**	64310	64310-LKJ1-900	PANEL FLOOR	PANEL FLOOR	1	
**	64313	64313-LKJ1-900	LID R FR	LID R FR	1	
**	64314	64314-LKJ1-900	LID L FR	LID L FR	1	
**	64400	64400-LKJ1-900	COWL UNDER	COWL UNDER	1	
**	81130	81130-LKJ1-900	LID ASSY LEG SHIELD	LID ASSY LEG SHIELD	1	
**	81131	81131-LKJ1-900	LEG SHIELD	LEG SHIELD	1	
**	81132	81132-LFG6-900	HOOK LUGGAGE	HOOK LUGGAGE	1	
**	81133	81133-LKJ1-900	COVER INNER CAP LID	COVER INNER CAP LID	14	
**	81134	81134-LKJ1-900	LID LEG SHIELD	LID LEG SHIELD	1	
**	81141	81141-LKJ1-900	LEG SHIELD UP	LEG SHIELD UP	1	
**	81142	81142-KUDU-900	LID LEG SHIELD(VIN)(Black)	LID LEG SHIELD(VIN)(Black)	1	
	90110	90110-LKJ1-900	SCREW SPECIFIED 6X15	SCREW SPECIFIED 6X15	1	





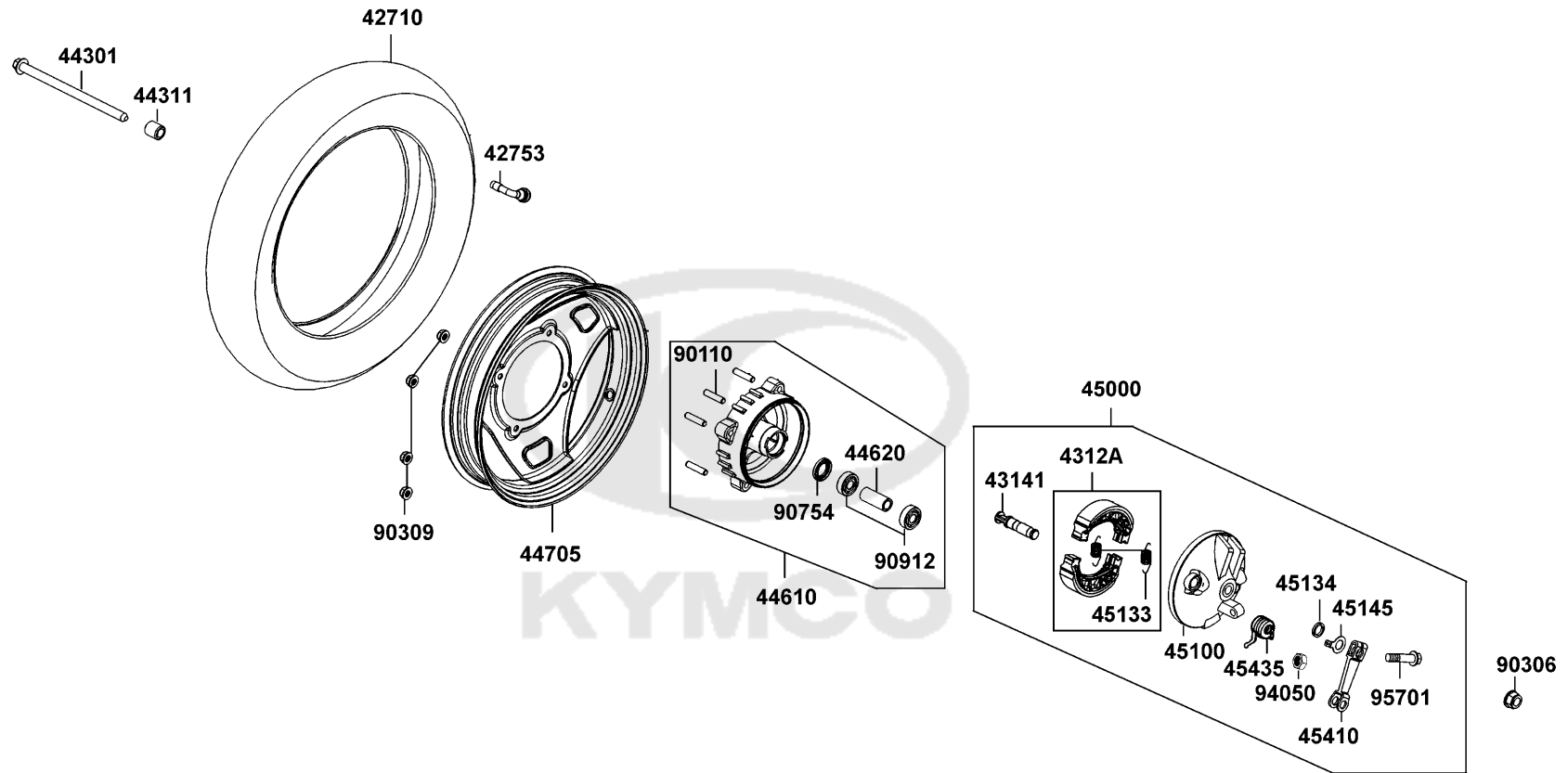
Sales mark	Ref no	Part no	Description	Reg description	Regd no	<b>F04</b>
90164		90164-MDR4-901	SCREW SPECIAL 6MM	SCREW SPECIAL 6MM	1	
90215		90215-ALK5-900	NUT CAP 6MM	NUT CAP 6MM	2	
90302-GBR2		90302-GBR2-001	BOLT WASH 5*16	BOLT WASH 5*16	4	
90302-LKB9		90302-LKB9-900	NUT SPRING 5MM	NUT SPRING 5MM	6	
90652		90652-LFB5-900	CLIP MUDGUARD	CLIP MUDGUARD	13	
90664		90664-LKJ1-900	CLIP	CLIP	1	
93404-06012		93404-06012-06	BOLT WASHER 6*12 (G)	BOLT WASHER 6*12 (G)	2	
93404-06016		93404-06016-06	BOLT WASHER 6*16	BOLT WASHER 6*16	3	
93404-06030		93404-06030-06	BOLT WASHER 6*30	BOLT WASHER 6*30	4	
93903-35260		93903-35260	SCREW TAPPING 5*12	SCREW TAPPING 5*12	27	
93903-35360		93903-35360	SCREW TAPPING 5*16	SCREW TAPPING 5*16	5	
93903-45360		93903-45360	SCREW TAPPING 5*16	SCREW TAPPING 5*16	4	
94101		94101-06700	WASHER PLAIN 6MM	WASHER PLAIN 6MM	2	



Sales mark	Ref no	Part no	Description	Reg description	Regd no	F05
	45155	45155-LKJ1-900	CLAMPER FR BRK CABLE	CLAMPER FR BRK CABLE	1	
	45156	45156-LKJ1-900	CLAMPER FR BRK HOSE	CLAMPER FR BRK HOSE	1	
	50306	50306-1F96-001	NUT STRG STEM LOCK	NUT STRG STEM LOCK	1	
**	51400	51400-LKJ1-800	FORK SET RIGHT FRONT	FORK SET RIGHT FRONT	1	
**	51500	51500-LKJ1-800	FORK SET LIGHT FRONT	FORK SET LIGHT FRONT	1	
	53200	53200-LKJ1-900	STEM COMP STEERING	STEM COMP STEERING	1	
	53211	53211-GFY6-940	RACE STRG TOP CONE	RACE STRG TOP CONE	1	
	53212	53212-2L50-011	RACE STRG BOT CONE	RACE STRG BOT CONE	1	
	53214	53214-2L50-001	DUST SEAL STRG(HEAD)	DUST SEAL STRG(HEAD)	1	
	53215	53215-2L50-001	WASH STRG HDL DUST-SEAL	WASH STRG HDL DUST-SEAL	1	
	95701	95701-06012-06	BOLT FLANGE 6*12 **07 C.2005.07.01	BOLT FLANGE 6*12	2	
	95801	95801-08040-06	BOLT FLANGE 8*40	BOLT FLANGE 8*40	4	
	96211	96211-05000	BALL STEEL #5	BALL STEEL #5	26	
	96211A	96211-08000	BALL STEEL #8	BALL STEEL #8	19	

F06

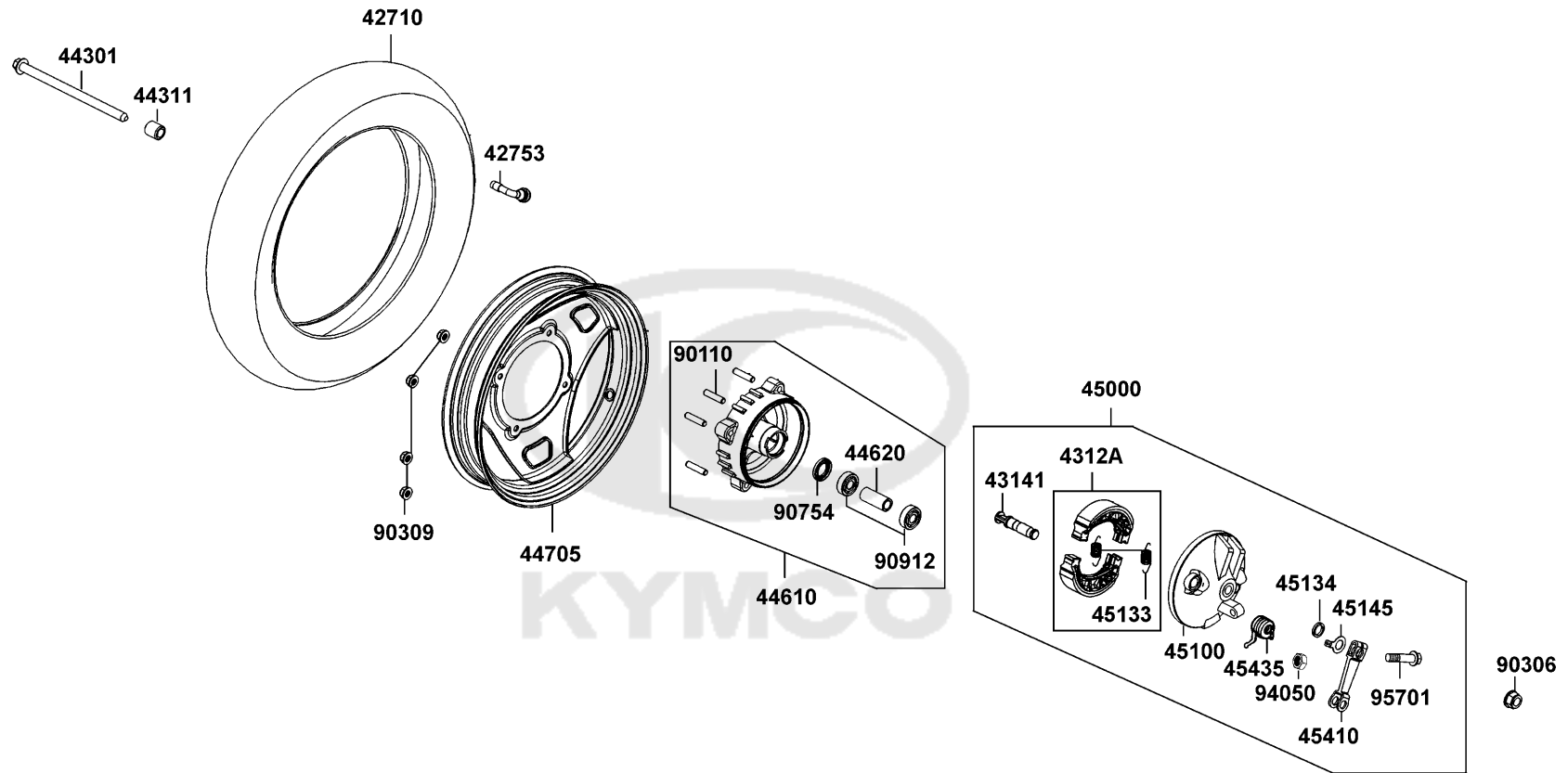
Front Wheel



Sales mark	Ref no	Part no	Description	Reg description	Regd no	F06
	42710	42710-LKJ1-900	TIRE ASSY RR 90/90-12	TIRE ASSY RR 90/90-12	1	
	42753	42753-0F06-900	VALVE (PVR-70(B)) & CAP (E)	VALVE (PVR-70(B)) & CAP (E)	1	
	4312A	4312A-LGM1-91A	SHOE ASSY BRAKE (E206)	SHOE ASSY BRAKE (E206)	1	
	4312A	4312A-LGM1-91B	SHOE ASSY BRAKE (D103)	SHOE ASSY BRAKE (D103)	1	
	43141	43141-LBC6-800	CAM RR BRAKE	CAM RR BRAKE	1	
	44301	44301-LGE3-900	AXLE FR WHEEL M12*200MM	AXLE FR WHEEL M12*200MM	1	
	44311	44311-GLW0-901	COLLAR FR WHEEL SIDE	COLLAR FR WHEEL SIDE	1	
**	44610	44610-GLW0-305	HUB SUB ASSY FR	HUB SUB ASSY FR	1	
	44620	44620-GHC8-001	COLLAR FR AXLE DISTANCE	COLLAR FR AXLE DISTANCE	1	
**	44705	44705-LKJ1-900	RIM COMP RR	RIM COMP RR	1	
**	45000	45000-LKJ1-800	PANEL ASSY FR BRK	PANEL ASSY FR BRK	1	
**	45100	45100-LKJ1-800	PANEL COMP FR BRK	PANEL COMP FR BRK	1	
	45133	45133-LDA3-900	SPRING BRAKE SHOE REAR	SPRING BRAKE SHOE REAR	2	
	45134	45134-2L50-001	BRAKE CAM DUST SEAL	BRAKE CAM DUST SEAL	1	
	45145	45145-0F96-651	INDICATOR FRONT BRAKE	INDICATOR FRONT BRAKE	1	
	45410	45410-LBC6-800	ARM FR BRAKE	ARM FR BRAKE	1	
	45435	45435-LBC6-800	SPG BRK ARM RETURN	SPG BRK ARM RETURN	1	
	90110	90110-KHG8-901	BOLT STUD2 8*22	BOLT STUD2 8*22	4	
	90306	90306-LFE2-900	NUT FLANGE 12MM	NUT FLANGE 12MM	1	
	90309	90309-GLW0-90A	NUT U FLANGE 8MM	NUT U FLANGE 8MM	4	

F06

Front Wheel



Sales mark	Ref no	Part no	Description	Reg description	Regd no	<b>F06</b>
------------	--------	---------	-------------	-----------------	---------	------------

90754	90754-GHC8-00A	90754-GHC8-00A	SEAL DUST 20*32*5	SEAL DUST 20*32*5	1	
90912	90912-GHC8-00A	90912-GHC8-00A	BEARING 6201 (U)	BEARING 6201 (U)	2	
94050	94050-06000	94050-06000	NUT FLANGE 6MM	NUT FLANGE 6MM	1	
95701	95701-06028-06	95701-06028-06	BOLT FLANGE 6*28 (G)	BOLT FLANGE 6*28 (G)	1	





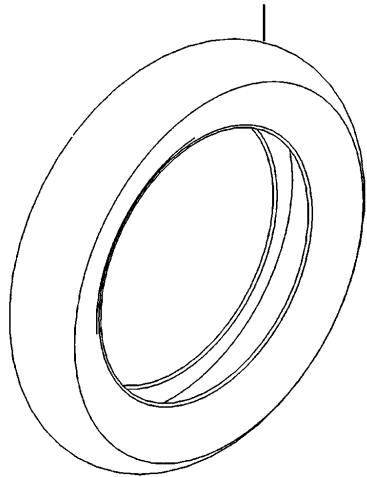
F07

Rear Wheel

90305



42710



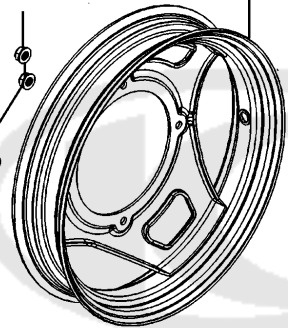
42753



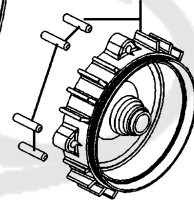
90309



42705

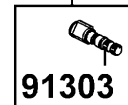


42610



4314A

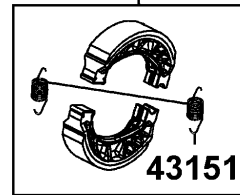
43410



91303

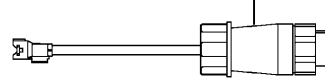
95701

4312A



43151

31334



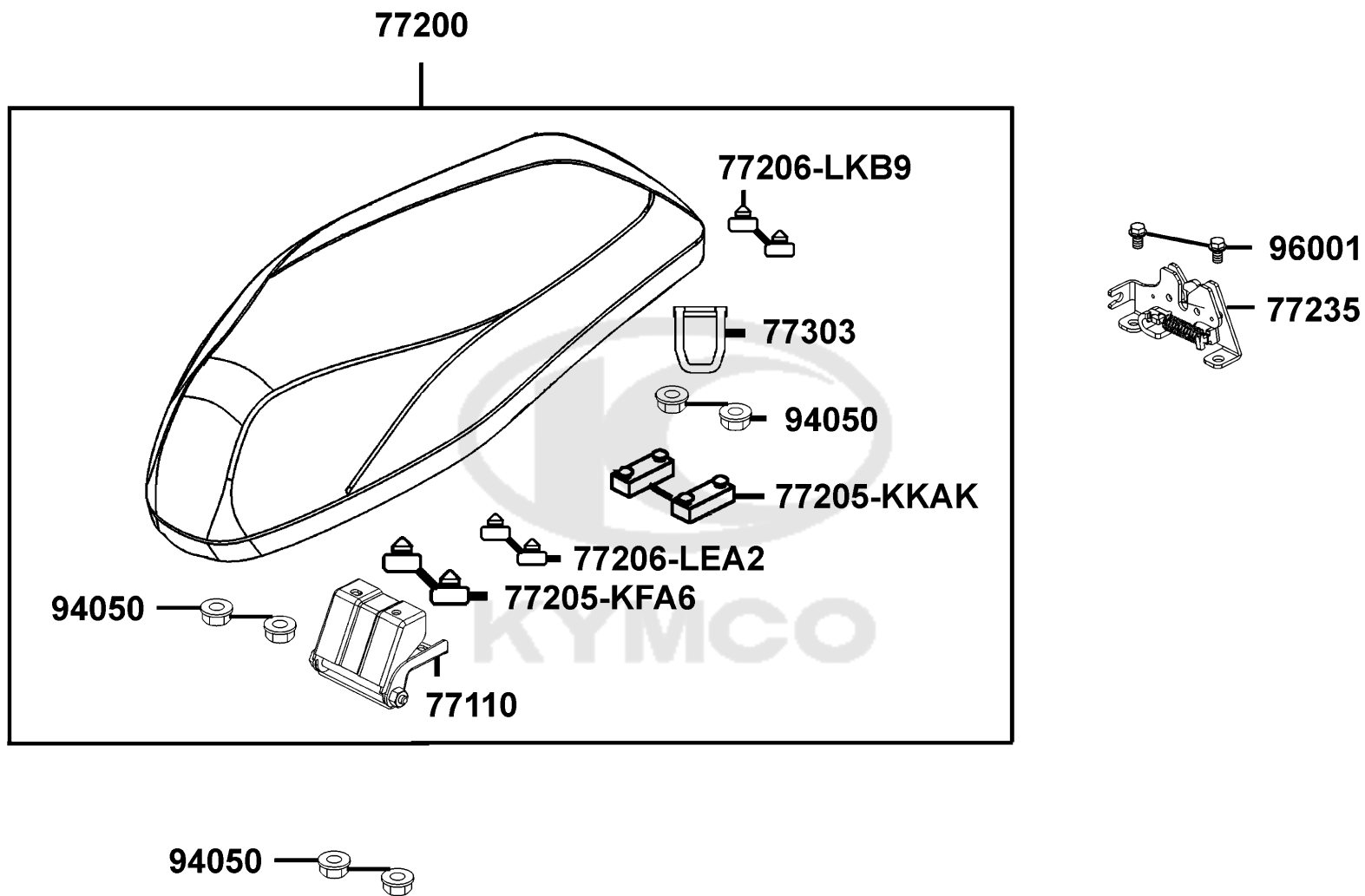
46513

KYMCO

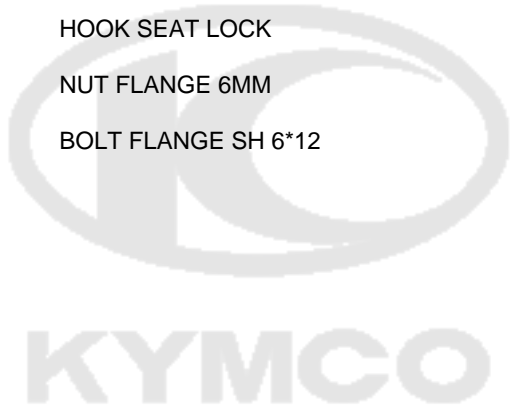
Sales mark	Ref no	Part no	Description	Reg description	Regd no	F07
	31334	31334-LKJ1-900	MOTOE SENSOR WIRE	MOTOE SENSOR WIRE	1	
**	42610	42610-KUDU-900	HUB SUB COMP RR	HUB SUB COMP RR	1	
**	42705	42705-LKJ1-900	RIM COMP RR	RIM COMP RR	1	
	42710	42710-LKJ1-900	TIRE ASSY RR 90/90-12	TIRE ASSY RR 90/90-12	1	
	42753	42753-0F06-900	VALVE (PVR-70(B)) & CAP (E)	VALVE (PVR-70(B)) & CAP (E)	1	
	4312A	4312A-LKJ1-900	SHOE ASSY REAR BRAKE	SHOE ASSY REAR BRAKE	1	
	4314A	4314A-LFB6-900	CAM ASSY. RR BRAKE	CAM ASSY. RR BRAKE	1	
	43151	43151-LEB1-900	SPRING BRAKE SHOE REAR	SPRING BRAKE SHOE REAR	2	
	43410	43410-LKJ1-800	ARM RR BRK	ARM RR BRK	1	
	46513	46513-LEB1-900	SPG ASSY BRK ARM	SPG ASSY BRK ARM	1	
	90305	90305-KFW6-91A	NUT U 16MM	NUT U 16MM	1	
	90309	90309-GLW0-90A	NUT U FLANGE 8MM	NUT U FLANGE 8MM	4	
	91303	91303-PUA5-E00	O-RING_9X1_5	O-RING_9X1_5	1	
	95701	95701-06032-06	BOLT FLANGE 6*32	BOLT FLANGE 6*32	1	

F08

Seat

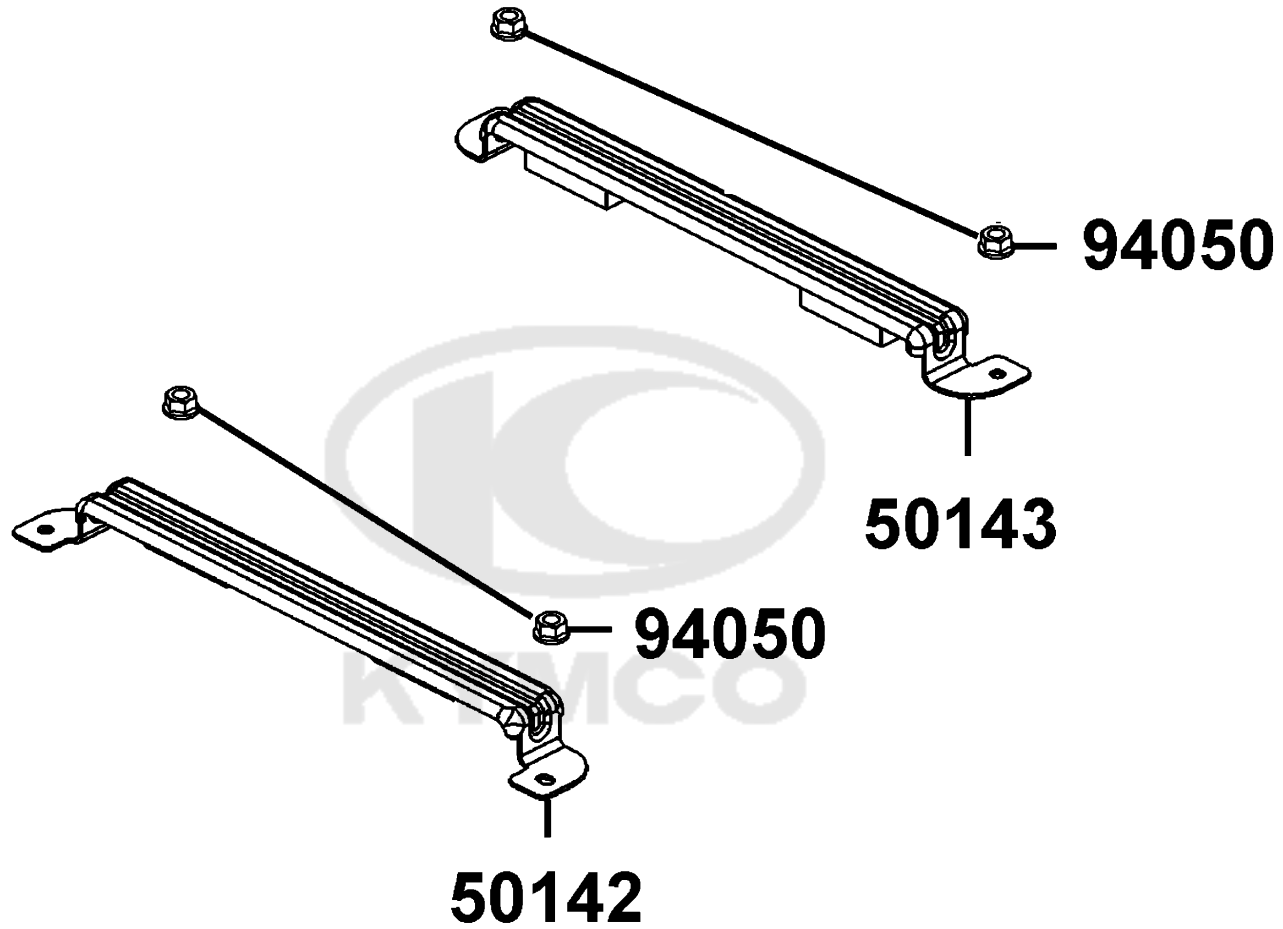


Sales mark	Ref no	Part no	Description	Reg description	Regd no	<b>F08</b>
	77110	77110-LKJ1-900	HINGE COMP SEAT	HINGE COMP SEAT	1	
# **	77200	77200-LKJ1-E01	SEAT ASSY.	SEAT ASSY.	1	
	77205-KFA6	77205-KFA6-900	RUBBER SEAT CUSH	RUBBER SEAT CUSH	2	
	77205-KKAK	77205-KKAK-900	RUBBER SEAT	RUBBER SEAT	2	
	77206-LEA2	77206-LEA2-900	RUBBER SEAT CUSH	RUBBER SEAT CUSH	2	
	77206-LKB9	77206-LKB9-900	RUBBER SEAT CUSH	RUBBER SEAT CUSH	2	
	77235	77235-LEA1-900	CATCH COMP SEAT	CATCH COMP SEAT	1	
	77303	77303-LCD3-E00	HOOK SEAT LOCK	HOOK SEAT LOCK	1	
	94050	94050-06080	NUT FLANGE 6MM	NUT FLANGE 6MM	6	
	96001	96001-06012-06	BOLT FLANGE SH 6*12	BOLT FLANGE SH 6*12	2	



F09

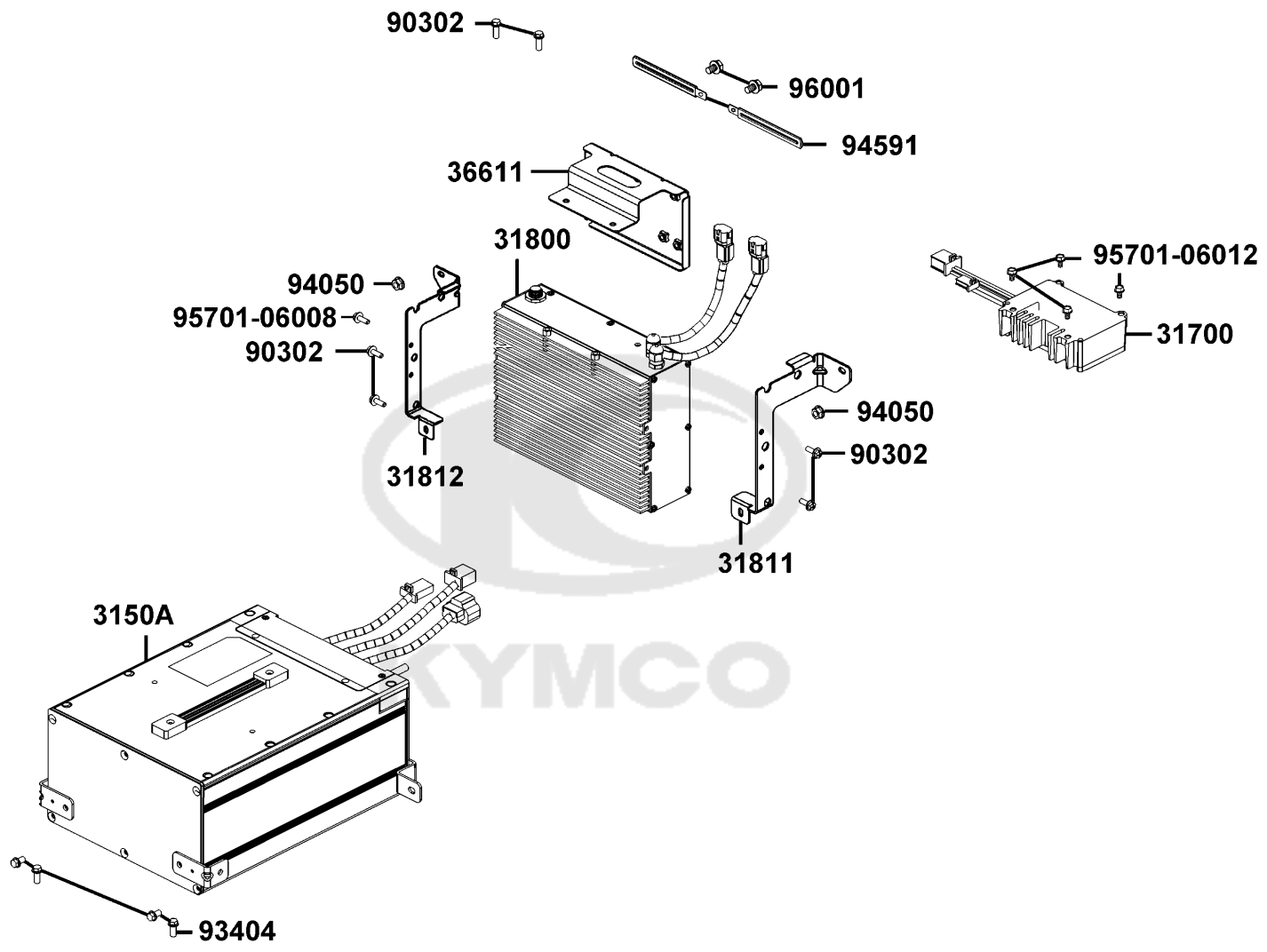
STAY FLOOR PANEL



Sales mark	Ref no	Part no	Description	Reg description	Regd no	<b>F09</b>
------------	--------	---------	-------------	-----------------	---------	------------

50142		50142-LKJ1-900	PLATE FR FLOOR	PLATE FR FLOOR	1	
50143		50143-LKJ1-900	PLATE RR FLOOR	PLATE RR FLOOR	1	
94050		94050-06060	NUT FLANGE 6MM	NUT FLANGE 6MM	4	



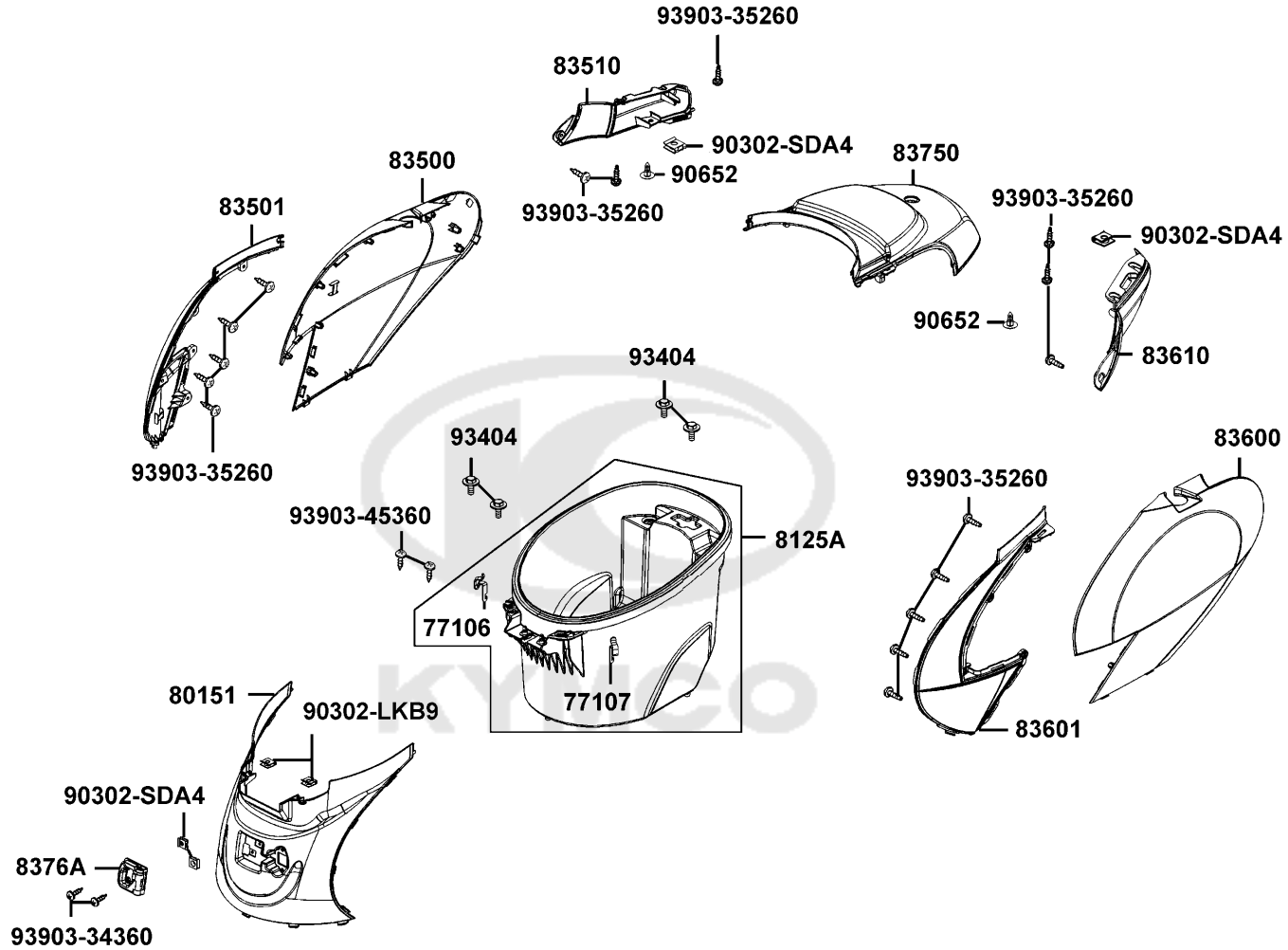


Sales mark	Ref no	Part no	Description	Reg description	Regd no	<b>F10</b>
	3150A	3150A-LKJ1-900	LI BATTERY ASSY	LI BATTERY ASSY	1	
	31700	31700-LKJ1-900	DC/DC CONVERTER ASSY	DC/DC CONVERTER ASSY	1	
	31800	31800-LKJ1-900	CHARGER ASSY	CHARGER ASSY	1	
	31811	31811-LKJ1-800	STAY A CHARGER(L)	STAY A CHARGER(L)	1	
	31812	31812-LKJ1-800	STAY B CHARGER(R)	STAY B CHARGER(R)	1	
	36611	36611-LKJ1-700	STAY RELAY	STAY RELAY	1	
#	90302	90302-LLB1-E00	BOLT-WASHER 5*12	BOLT-WASHER 5*12	6	
	93404	93404-06012-06	BOLT WASHER 6*12 (G)	BOLT WASHER 6*12 (G)	4	
	94050	94050-06060	NUT FLANGE 6MM	NUT FLANGE 6MM	2	
	94591	94591-LLB1-900	CLIP 2*100	CLIP 2*100	2	
	95701-06008	95701-06008-06	BOLT FLANGE 6*8	BOLT FLANGE 6*8	1	
	95701-06012	95701-06012-06	BOLT FLANGE 6*12 **07 C.2005.07.01	BOLT FLANGE 6*12	4	
	96001	96001-06014-06	BOLT FLANGE SH 6*14 (G)	BOLT FLANGE SH 6*14 (G)	2	

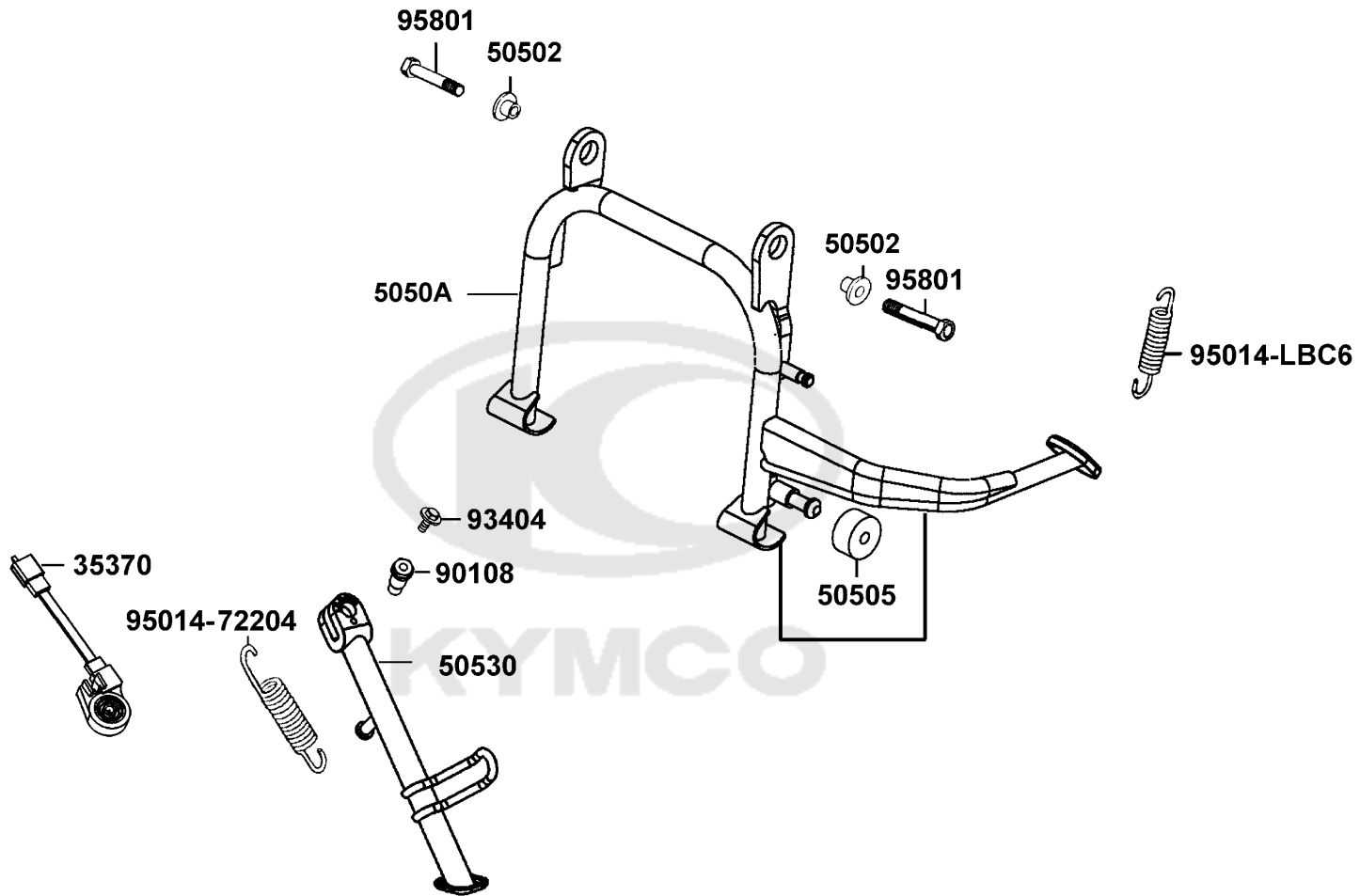


F11

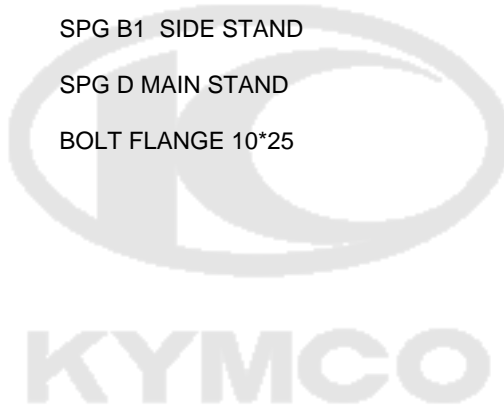
# Body Cover Luggage Box



Sales mark	Ref no	Part no	Description	Reg description	Regd no	F11
	77106	77106-KKE5-E00	HOOK R HELMENT	HOOK R HELMENT	1	
	77107	77107-KKE5-E00	HOOK L HELMENT	HOOK L HELMENT	1	
**	80151	80151-LKJ1-900	COVER CENTER	COVER CENTER	1	
	8125A	8125A-LKJ1-900	LUGGAGE ASSY BOX	LUGGAGE ASSY BOX	1	
**	83500	83500-LKJ1-900	COVER RIGHT BODY	COVER RIGHT BODY	1	
**	83501	83501-LKJ1-900	LID RIGHT COVER BODY	LID RIGHT COVER BODY	1	
**	83510	83510-LKJ1-900	LID RIGHT COVER CENTER	LID RIGHT COVER CENTER	1	
**	83600	83600-LKJ1-900	COVER LIGHT BODY	COVER LIGHT BODY	1	
**	83601	83601-LKJ1-900	LID LIGHT COVER BODY	LID LIGHT COVER BODY	1	
**	83610	83610-LKJ1-900	LID LIGHT COVER CENTER	LID LIGHT COVER CENTER	1	
**	83750	83750-LKJ1-900	COVER RR CENTER	COVER RR CENTER	1	
	8376A	8376A-KECE-901	CLIP ASSY CENTER	CLIP ASSY CENTER	1	
	90302-LKB9	90302-LKB9-910	NUT SPRING 5MM	NUT SPRING 5MM	2	
	90302-SDA4	90302-SDA4-004	NUT SPRING 4MM	NUT SPRING 4MM	4	
	90652	90652-LCA4-E00	CLIP MUDGUARD	CLIP MUDGUARD	2	
	93404	93404-KKC2-900	BOLT WASH 6*16	BOLT WASH 6*16	4	
	93903-34360	93903-34360	SCREW TAPPING 4*12 (G)	SCREW TAPPING 4*12 (G)	2	
	93903-35260	93903-35260	SCREW TAPPING 5*12	SCREW TAPPING 5*12	16	
	93903-45360	93903-45360	SCREW TAPPING 5*16	SCREW TAPPING 5*16	2	



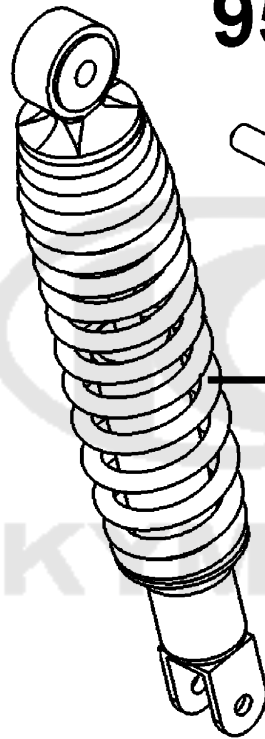
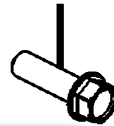
Sales mark	Ref no	Part no	Description	Reg description	Regd no	F12
35370		35370-LKJ1-900	SW UNIT SIDE STAND	SW UNIT SIDE STAND	1	
50502		50502-LEA1-910	COLLAR. MAIN STAND	COLLAR. MAIN STAND	2	
50505		50505-LAD9-900	STOPPER RUBBER	STOPPER RUBBER	1	
5050A		5050A-LKJ1-900	STAND COMP MAIN	STAND COMP MAIN	1	
50530		50530-LKJ1-900	STAND SIDE	STAND SIDE	1	
90108		90108-KKC4-900	SCREW SIDE STAND PIVOT	SCREW SIDE STAND PIVOT	1	
93404		93404-06016-06	BOLT WASHER 6*16	BOLT WASHER 6*16	1	
95014-72204		95014-72204	SPG B1 SIDE STAND	SPG B1 SIDE STAND	1	
95014-LBC6		95014-LBC6-900	SPG D MAIN STAND	SPG D MAIN STAND	1	
95801		95801-10025-06	BOLT FLANGE 10*25	BOLT FLANGE 10*25	2	



**90304**

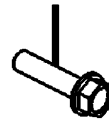



**95801-10040**

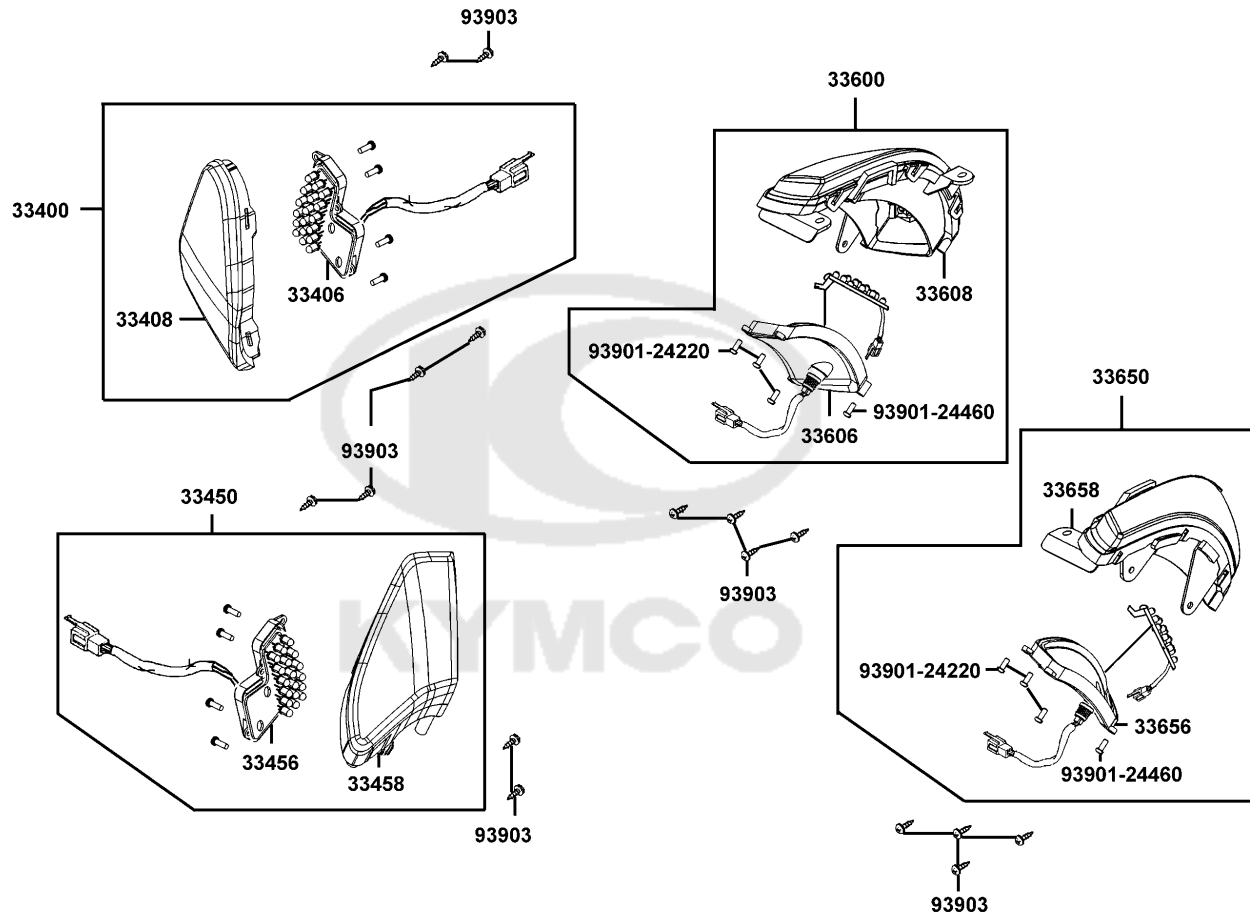


**52400**

**95801-08035**

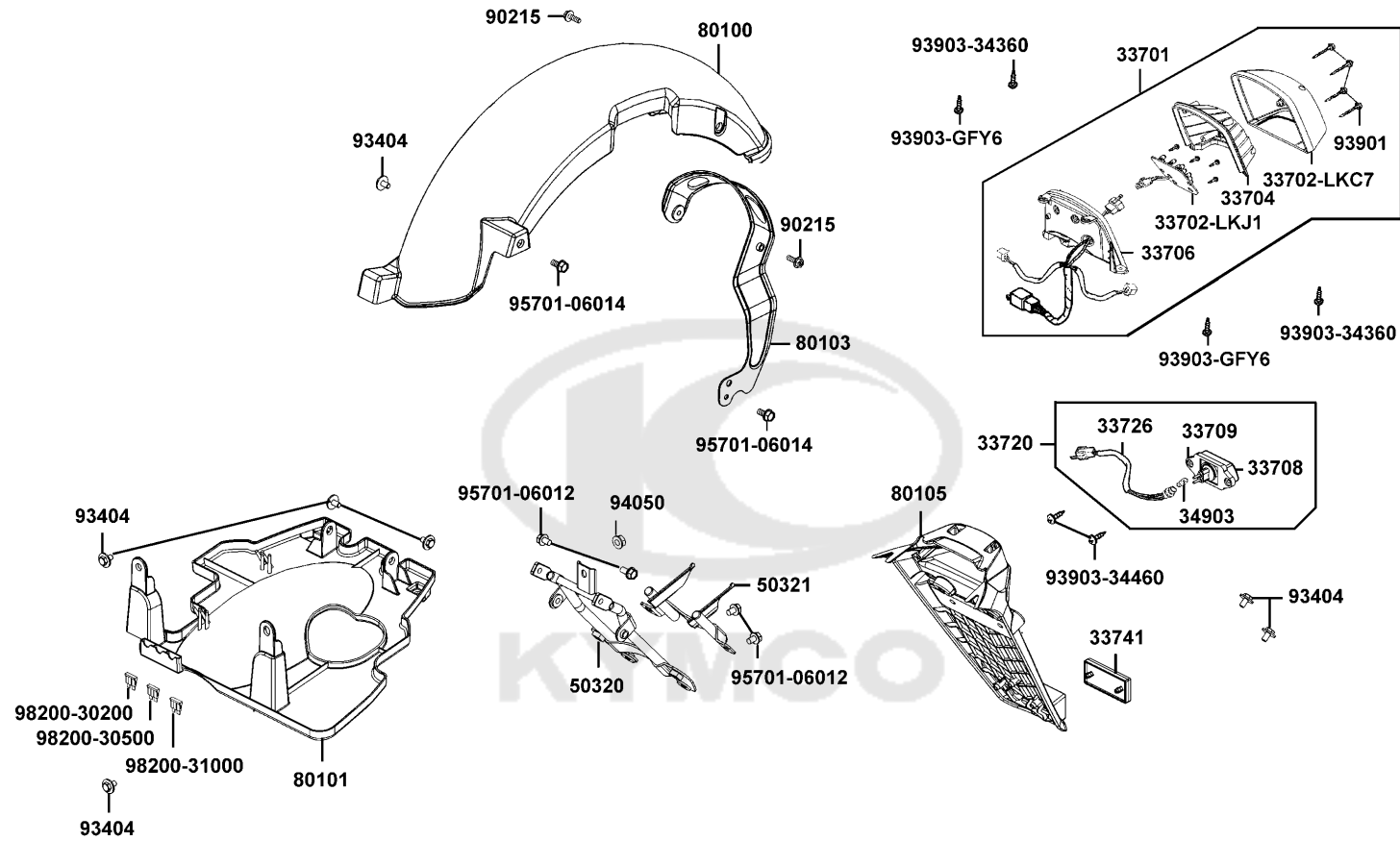


Sales mark	Ref no	Part no	Description	Reg description	Regd no	<b>F13</b>
	52400	52400-LKJ1-900	CUSHION ASSY REAR	CUSHION ASSY REAR	1	
	90304	90304-GLW0-90A	NUT U FLANGE 10MM	NUT U FLANGE 10MM	1	
	95801-08035	95801-08035-06	BOLT FLANGE 8*35	BOLT FLANGE 8*35	1	
	95801-10040	95801-10040-06	BOLT FLANGE 10*40	BOLT FLANGE 10*40	1	
						

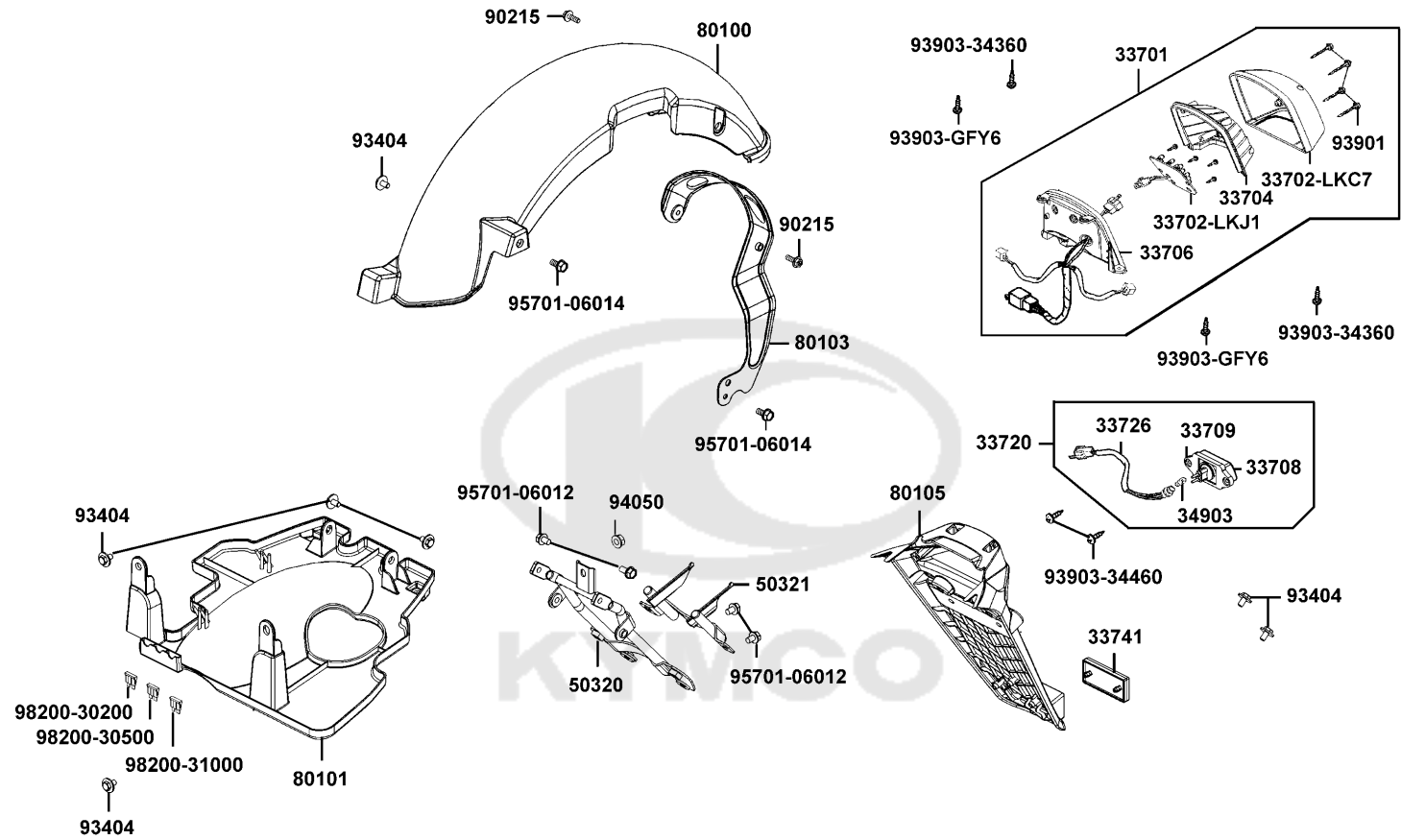


Sales mark	Ref no	Part no	Description	Reg description	Regd no	<b>F14</b>
33400		33400-LKJ1-900	WINKER ASSY FRONT RIGHT	WINKER ASSY FRONT RIGHT	1	
33406		33406-LKJ1-900	LED ASSY R COVER SOCKET COMP	LED ASSY R COVER SOCKET COMP	1	
33408		33408-LKJ1-900	LENS FR R WIMKER	LENS FR R WIMKER	1	
33450		33450-LKJ1-900	WINKER ASSY FRONT LIGHT	WINKER ASSY FRONT LIGHT	1	
33456		33456-LKJ1-900	LED ASSY L COVER SOCKET COMP	LED ASSY L COVER SOCKET COMP	1	
33458		33458-LKJ1-900	LENS FR L WIMKER	LENS FR L WIMKER	1	
33600		33600-LKJ1-900	WINKER ASSY REAR RIGHT	WINKER ASSY REAR RIGHT	1	
33606		33606-LKJ1-900	SOCKET COMP RR COMB	SOCKET COMP RR COMB	1	
33608		33608-LKJ1-900	LENS RR R WINKER	LENS RR R WINKER	1	
33650		33650-LKJ1-900	WINKER ASSY REAR LIGHT	WINKER ASSY REAR LIGHT	1	
33656		33656-LKJ1-900	SOCKET COMP RR COMB L	SOCKET COMP RR COMB L	1	
33658		33658-LKJ1-900	LENS RR L WINKER	LENS RR L WINKER	1	
93901-24220		93901-24220	SCREW TAPPING 4*10	SCREW TAPPING 4*10	3	
93901-24460		93901-24460	SCREW TAPPING 4*16	SCREW TAPPING 4*16	1	
93903		93903-25260	SCREW TAPPING 5*12	SCREW TAPPING 5*12	16	

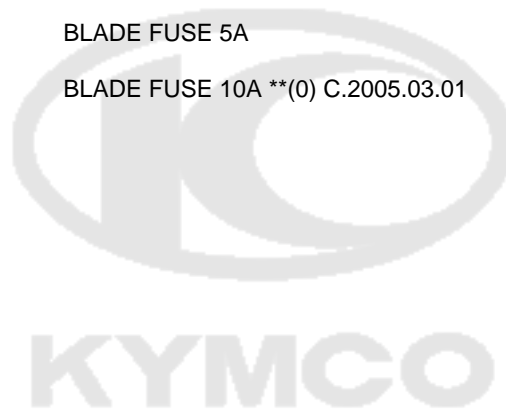




Sales mark	Ref no	Part no	Description	Reg description	Regd no	F15
	33701	33701-LKJ1-900	UNIT TAIL LIGHT	UNIT TAIL LIGHT	1	
	33702-LKC7	33702-LKC7-900	LENS	LENS	1	
	33702-LKJ1	33702-LKJ1-900	PCB TAIL LIGHT LED	PCB TAIL LIGHT LED	1	
	33704	33704-LEA2-900	RS TAIL LIGHT	RS TAIL LIGHT	1	
	33706	33706-LEA2-900	CORD ASSY&BASE	CORD ASSY&BASE	1	
	33708	33708-KHE7-E00	LENS LICENSE	LENS LICENSE	1	
	33709	33709-KHE7-E00	BASE LICENSE	BASE LICENSE	1	
	33720	33720-LBB5-E00	LIGHT ASSY LICENSE	LIGHT ASSY LICENSE	1	
	33726	33726-LBB5-E00	SCOKET COMP	SCOKET COMP	1	
	33741	33741-LKC6-E00	REFLEX REFLECTOR	REFLEX REFLECTOR	1	
	34903	34903-KPCP-900	BULB POSITION LIGHT 12V5W **KCP-	BULB POSITION	1	
	50320	50320-ALF9-900	STAY RR FENDER	STAY RR FENDER	1	
	50321	50321-ALF9-900	GUSSET RR FENDER	GUSSET RR FENDER	1	
**	80100	80100-LKJ1-900	FENDER REAR TIRE	FENDER REAR TIRE	1	
**	80101	80101-LKJ1-900	FENDER RR UP	FENDER RR UP	1	
	80103	80103-LKJ1-900	STAY FENDER RR TIRE	STAY FENDER RR TIRE	1	
**	80105	80105-LKJ1-900	FENDER RR	FENDER RR	1	
	90215	90215-ALK5-900	NUT CAP 6MM	NUT CAP 6MM	2	
	93404	93404-06012-06	BOLT WASHER 6*12 (G)	BOLT WASHER 6*12 (G)	7	
	93901	93901-LEA2-307	SCREW PAN 3.5*43	SCREW PAN 3.5*43	4	

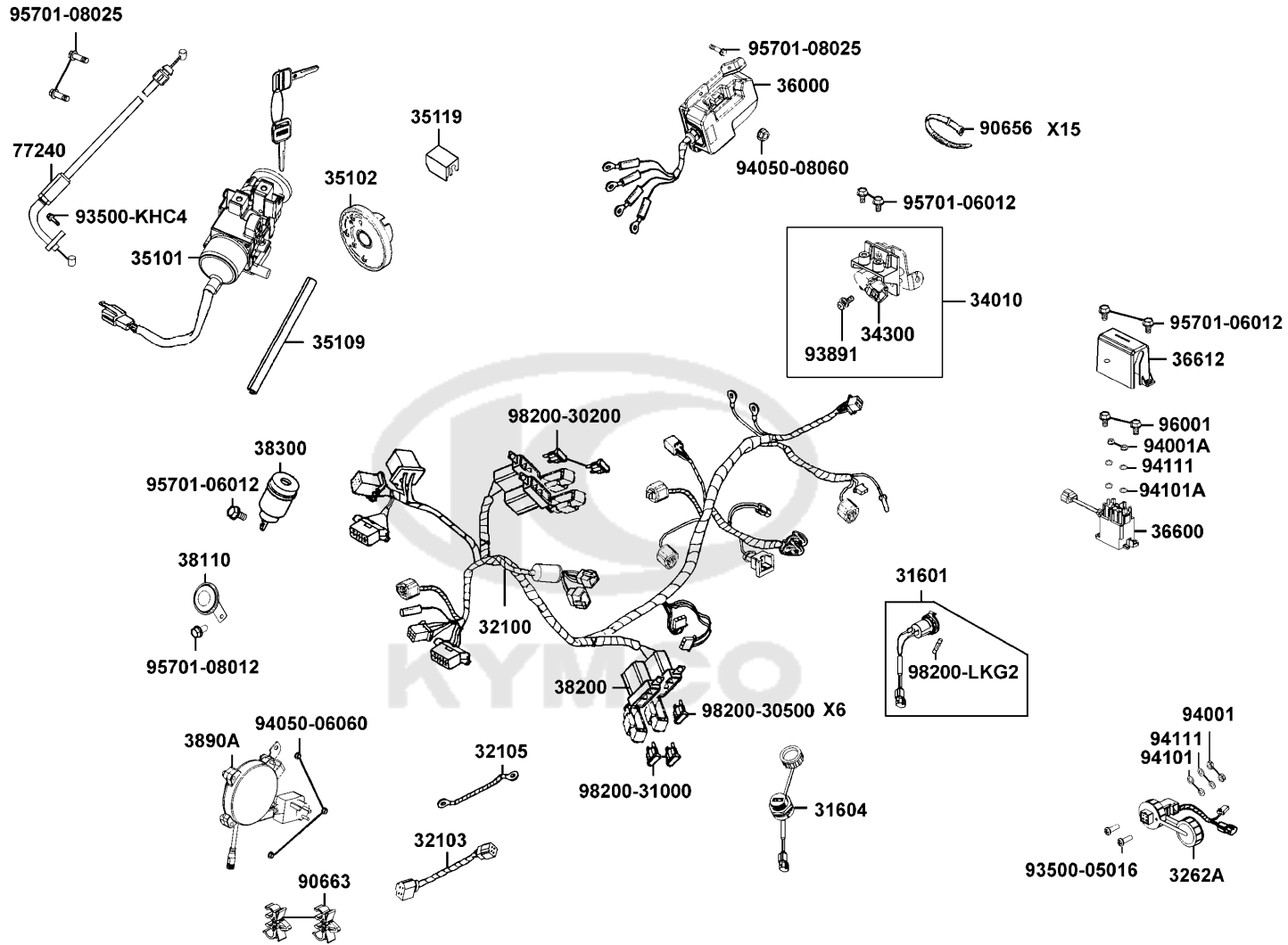


Sales mark	Ref no	Part no	Description	Reg description	Regd no	F15
	93903-34360	93903-34360	SCREW TAPPING 4*12 (G)	SCREW TAPPING 4*12 (G)	2	
	93903-34460	93903-34460	SCREW TAPPING 4*16	SCREW TAPPING 4*16	2	
	93903-GFY6	93903-GFY6-900	SCREW TAPPING 4*14	SCREW TAPPING 4*14	2	
	94050	94050-06060	NUT FLANGE 6MM	NUT FLANGE 6MM	1	
	95701-06012	95701-06012-06	BOLT FLANGE 6*12 **07 C.2005.07.01	BOLT FLANGE 6*12	1	
	95701-06014	95701-06014-06	BOLT FLANGE 6*14	BOLT FLANGE 6*14	1	
	98200-30200	98200-30200	BLADE FUSE 2A	BLADE FUSE 2A	1	
	98200-30500	98200-30500	BLADE FUSE 5A	BLADE FUSE 5A	1	
	98200-31000	98200-31000	BLADE FUSE 10A **(0) C.2005.03.01	BLADE FUSE 10A **(0) C.2005.03.01	1	

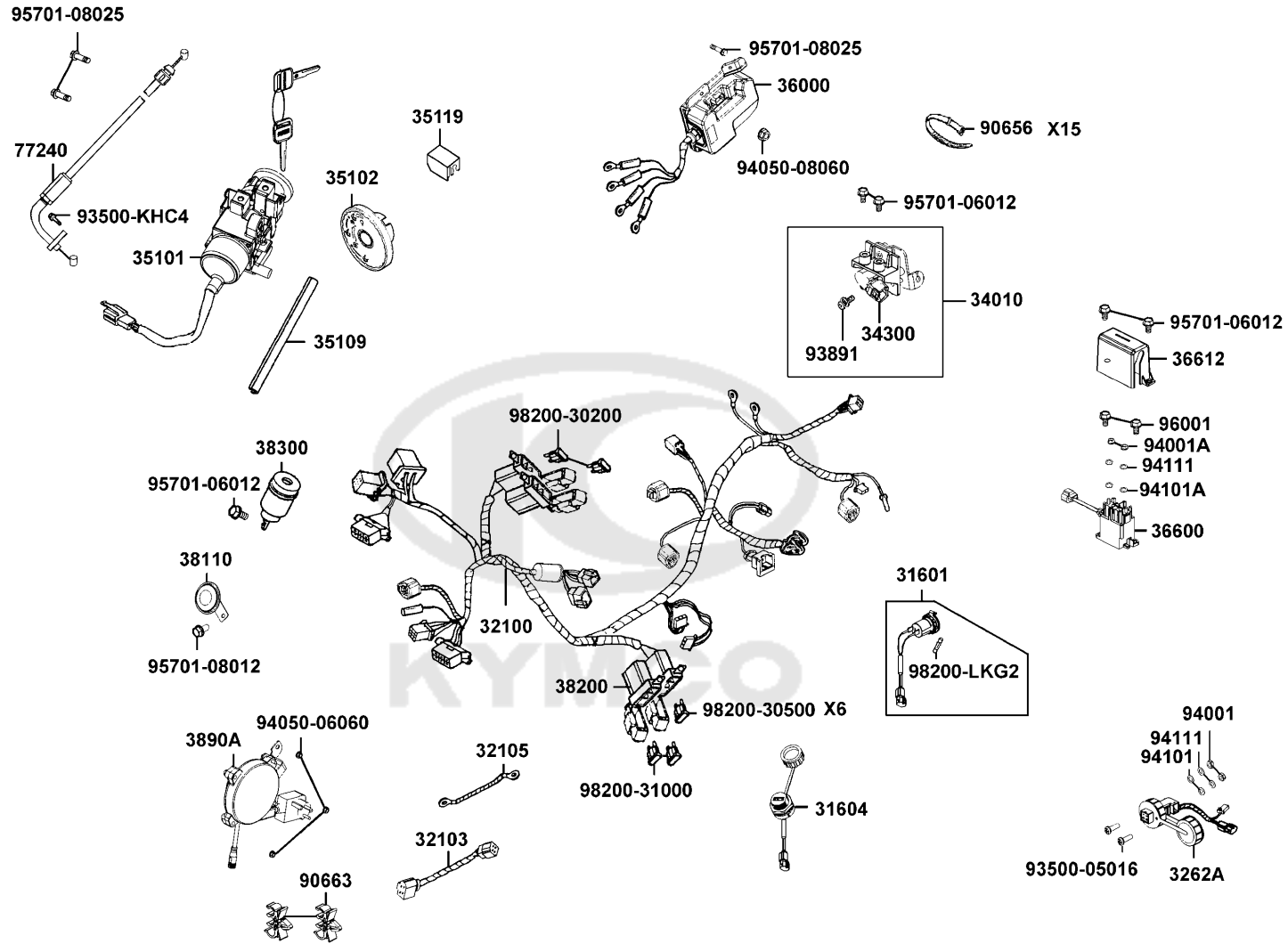


F16

Wire Harness

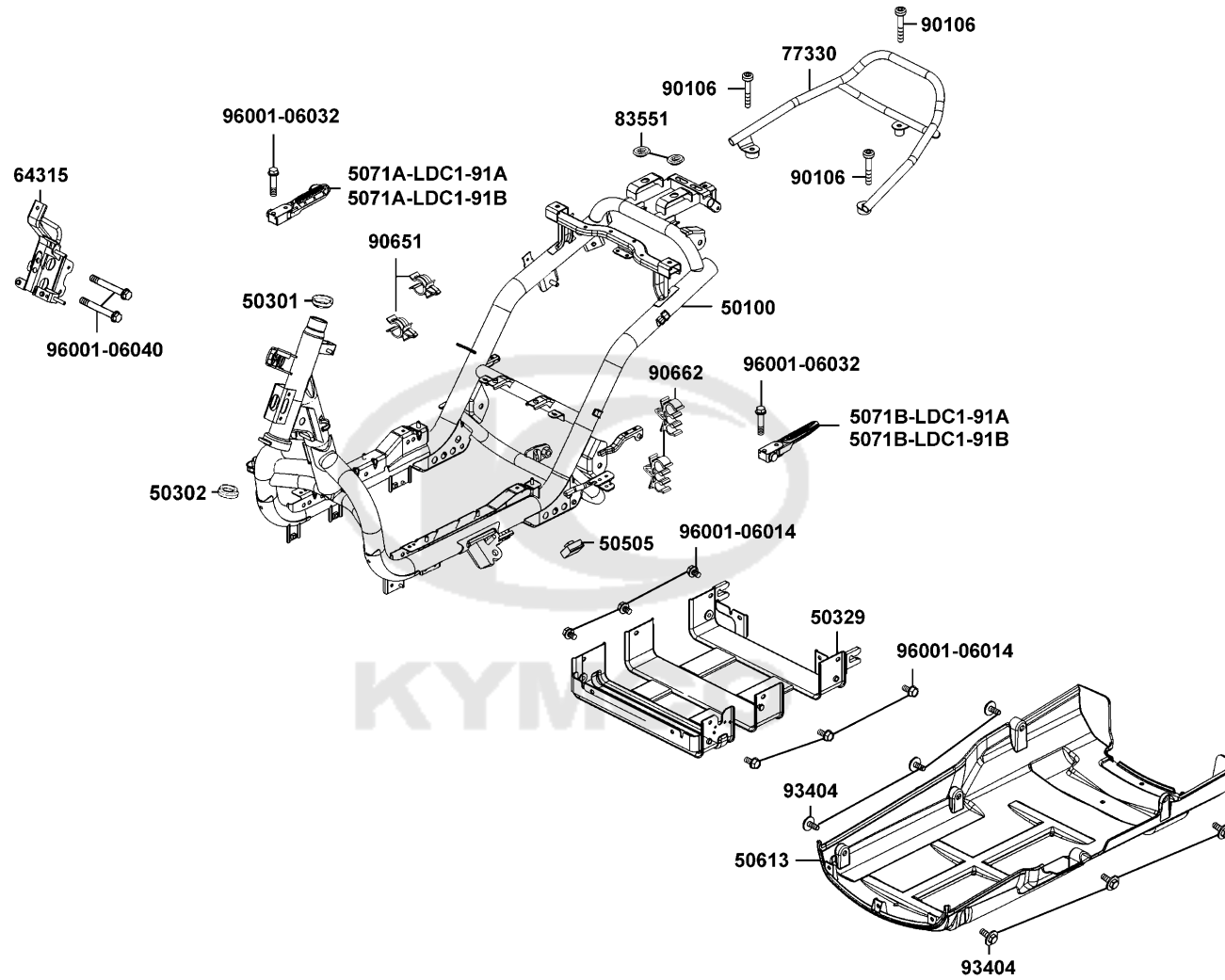


Sales mark	Ref no	Part no	Description	Reg description	Regd no	<b>F16</b>
#	31601	31601-LEA7-E00	SOCKET COMP DC 12V	SOCKET COMP DC 12V	1	
	31604	31604-LKJ1-900	WATERPROOF USB	WATERPROOF USB	1	
	32100	32100-LKJ1-900	HARNESS WIRE	HARNESS WIRE	1	
	32103	32103-LKJ1-900	SUB HARNESS A	SUB HARNESS A	1	
	32105	32105-LKJ1-900	SUB HARNESS A	SUB HARNESS A	1	
	3262A	3262A-LKJ1-800	SOCKET CHARGER ASSY	SOCKET CHARGER ASSY	1	
	34010	34010-LKJ1-900	THROTTLE BODY ASSY	THROTTLE BODY ASSY	1	
	34300	34300-LFG7-900	THROTTLE POSITION SENSOR	THROTTLE POSITION SENSOR	1	
	35101	35101-LKJ1-305-M2	SW COMP LOCK	SW COMP LOCK	1	
	35102	35102-LKJ1-900	COLLAR MAIN SW	COLLAR MAIN SW	1	
	35109	35109-LKJ1-900	PROTECTING COVER CABLE 350mm	PROTECTING COVER CABLE 350mm	1	
	35119	35119-LEB1-90B	COVER SEAT CABLE	COVER SEAT CABLE	1	
	36000	36000-LKJ1-E00	ELEC CONTROLLER UNIT	ELEC CONTROLLER UNIT	1	
	36600	36600-LKJ1-800	RELAY COMP	RELAY COMP	1	
	36612	36612-LKJ1-800	COVER RELAY	COVER RELAY	1	
	38110	38110-KKC3-90B	HORN COMP	HORN COMP	1	
	38200	38200-KHE7-900	BOX COMP FUSE	BOX COMP FUSE	1	
	38300	38300-LEA2-900	RELAY COMP. WINKER	RELAY COMP. WINKER	1	
	3890A	3890A-LKJ1-E00	RETRACTABLE CORD ASSY	RETRACTABLE CORD ASSY	1	
	77240	77240-LKJ1-900	CABLE COMP SEAT LOCK	CABLE COMP SEAT LOCK	1	



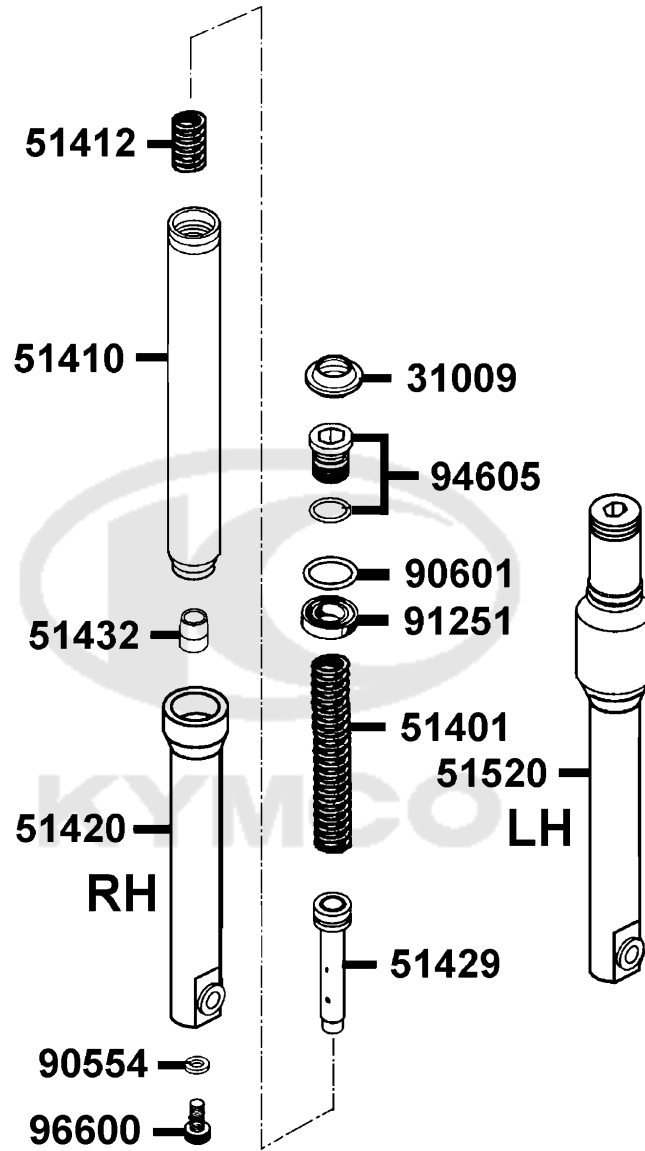
Sales mark	Ref no	Part no	Description	Reg description	Regd no	F16
**	90656	90656-KUDU-900	BAND HARNESS WIRE **KUDU-900	BAND HARNESS WIRE	15	
	90663	90663-LHJ3-900	CLIP	CLIP	2	
	93500-05016	93500-05016-0F	SCREW PAN 5*16	SCREW PAN 5*16	1	
	93500-KHC4	93500-KHC4-90A	SCREW PAN 5*10	SCREW PAN 5*10	1	
	93891	93891-05016-08	SCREW WASHER 5*16	SCREW WASHER 5*16	1	
	94001	94001-05080-0S	NUT HEX 5MM	NUT HEX 5MM	2	
#	94001A	94001-ALL3-900	NUT HEX 5MM	NUT HEX 5MM	2	
	94050-06060	94050-06060	NUT FLANGE 6MM	NUT FLANGE 6MM	3	
	94050-08060	94050-08060	NUT FLANGE 8MM	NUT FLANGE 8MM	1	
	94101	94101-05600	WASHER PLAIN 5*12*0.8 (G)	WASHER PLAIN 5*12*0.8 (G)	2	
#	94101A	94101-ALL3-900	WASHER PLAIN 5MM (C)	WASHER PLAIN 5*10*0.5MM(C)	2	
	94111	94111-05800	WASHER SPRING 5MM	WASHER SPRING 5MM	4	
	95701-06012	95701-06012-06	BOLT FLANGE 6*12 **07 C.2005.07.01	BOLT FLANGE 6*12	5	
	95701-08012	95701-08012-06	BOLT FLANGE 8*12	BOLT FLANGE 8*12	1	
	95701-08025	95701-08025-06	BOLT FLANGE 8*25	BOLT FLANGE 8*25	4	
	96001	96001-06014-06	BOLT FLANGE SH 6*14 (G)	BOLT FLANGE SH 6*14 (G)	2	
	98200-30200	98200-30200	BLADE FUSE 2A	BLADE FUSE 2A	2	
	98200-30500	98200-30500	BLADE FUSE 5A	BLADE FUSE 5A	6	
	98200-31000	98200-31000	BLADE FUSE 10A **(0) C.2005.03.01	BLADE FUSE 10A **(0) C.2005.03.01	2	
#	98200-LKG2	98200-LKF5-E00	FUSE 1.25 A	FUSE 1.25 A	1	





Sales mark	Ref no	Part no	Description	Reg description	Regd no	F17
	50100	50100-LKJ1-900	BODY COMP FRAME	BODY COMP FRAME	1	
	50301	50301-KGN7-671	RACE UP STRG BALL	RACE UP STRG BALL	1	
	50302	50302-2H68-011	RACE STRG BOT BALL	RACE STRG BOT BALL	1	
	50329	50329-ALF9-900	STAY BATTERY CASE	STAY BATTERY CASE	1	
	50505	50505-LKB9-900	RUBBER SIDE STAND	RUBBER SIDE STAND	1	
**	50613	50613-LKJ1-900	COVER UNDER	COVER UNDER	1	
	5071A-LDC1-91A	5071A-LDC1-91A	BAR STEP R ASSY	BAR STEP R ASSY	1	
	5071A-LDC1-91B	5071A-LDC1-91B	BAR STEP R ASSY	BAR STEP R ASSY	1	
	5071B-LDC1-91A	5071B-LDC1-91A	BAR STEP L ASSY	BAR STEP L ASSY	1	
	5071B-LDC1-91B	5071B-LDC1-91B	BAR STEP L ASSY	BAR STEP L ASSY	1	
	64315	64315-LKJ1-900	STAY FR COVER	STAY FR COVER	1	
**	77330	77330-LKJ1-900	GRIP RR	GRIP RR	1	
	83551	83551-KKAK-900	GROMMET AIR CLEANER CASE	GROMMET AIR CLEANER CASE	2	
	90106	90106-KUDU-900	BOLT SPECIAL 8MM	BOLT SPECIAL 8MM	3	
	90651	90651-LGE5-E00	CLIP FUEL TANK	CLIP FUEL TANK	2	
	90662	90662-LHJ3-900	CLIP	CLIP	2	
	93404	93404-06012-06	BOLT WASHER 6*12 (G)	BOLT WASHER 6*12 (G)	5	
	96001-06014	96001-06014-06	BOLT FLANGE SH 6*14 (G)	BOLT FLANGE SH 6*14 (G)	6	
	96001-06032	96001-06032-06	BOLT FLANGE 6*32	BOLT FLANGE 6*32	2	
	96001-06040	96001-06040-06	BOLT FLANGE SH 6*40	BOLT FLANGE SH 6*40	2	

Separated Parts Of Fr Fork



Sales mark	Ref no	Part no	Description	Reg description	Regd no	<b>F18</b>
	31009	31009-GAR1-900	DUST SEAL	DUST SEAL	1	
	51401	51401-LKJ1-800	SPRING	SPRING	1	
	51410	51410-LKJ1-800	FORK PIPE COMP	FORK PIPE COMP	1	
	51412	51412-KFA1-900	REBOUND SPRING	REBOUND SPRING	1	
**	51420	51420-LBC6-800	BOTTOM CASE R	BOTTOM CASE R	1	
	51429	51429-LKJ1-800	PIPE SEAT COMP	PIPE SEAT COMP	1	
	51432	51432-KFA1-900	OIL LOCK PIECE	OIL LOCK PIECE	1	
**	51520	51520-LBC6-800	BOTTOM CASE L	BOTTOM CASE L	1	
	90554	90554-2C83-001	PACKING	PACKING	1	
	90601	90601-GAR1-900	RING OIL SEAL STOPPER	RING OIL SEAL STOPPER	1	
	91251	91251-LAB4-900	OIL SEAL	OIL SEAL	1	
	94605	94605-LKJ1-800	FORK BOLT CAP	FORK BOLT CAP	1	
	96600	96600-LKJ1-800	SOCKET BOLT	SOCKET BOLT	1	

注 意			
輪胎最大胎壓:前輪	2.50kgf/cm <sup>2</sup>	後輪	2.50kgf/cm <sup>2</sup>
一人騎乘時:前輪	1.75kgf/cm <sup>2</sup>	後輪	2.25kgf/cm <sup>2</sup>
二人騎乘時:前輪	1.75kgf/cm <sup>2</sup>	後輪	2.25kgf/cm <sup>2</sup>
輪胎規格:前輪	90/90-12	後輪	90/90-12
載物限重:			
前行李箱	1.5kg		
置物掛鉤	3.0kg		
座墊下置物箱	10kg		

87505-LKJ1-900

87505

TRADE NAME: KYMCO	1, 38000-LKJ1-E00
VEHICLE CATEGORY: A	2, 31300-LKJ1-900

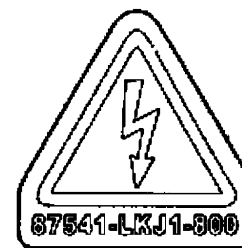
87224-LKJ1-E00

87224

注 意	
在馬達啟動前，請先將側支架扳起，以策安全。	

87541-ALK5-900

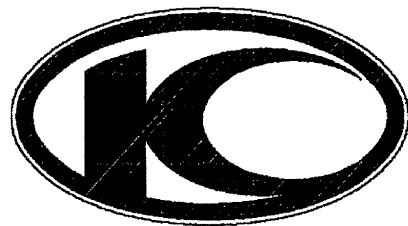
87541-ALK5



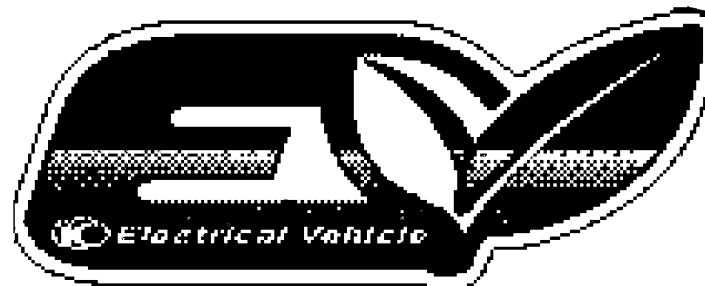
87541-LKJ1

Sales mark	Ref no	Part no	Description	Reg description	Regd no	<b>F19</b>
**	87224	87224-LKJ1-E00	CAUTION ANTI TAMPERING	CAUTION ANTI TAMPERING	1	
**	87505	87505-LKJ1-E00	LABEL TIRE	LABEL TIRE	1	
**	87541-ALK5	87541-ALK5-E00	CAUTION SIDE STAND	CAUTION SIDE STAND	1	
**	87541-LKJ1	87541-LKJ1-800	CAUTION LABEL	CAUTION LABEL	1	





86102-LCA5



86102-AAA7



86201



86102-LKJ1

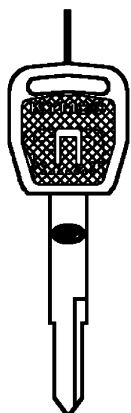
Sales mark	Ref no	Part no	Description	Reg description	Regd no	<b>F20</b>
------------	--------	---------	-------------	-----------------	---------	------------

**	86102-AAA7	86102-AAA7-700	EMB EV -LOGO	EMB EV -LOGO	1	
**	86102-LCA5	86102-LCA5-900	STRIPE K-LOGO 30MM	STRIPE K-LOGO 30MM	1	
**	86201	86201-LKJ1-E90	STRIPE BODY COVER	STRIPE BODY COVER	1	

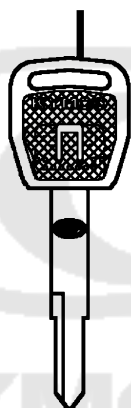




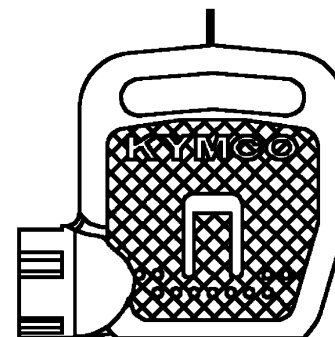
**35111-LDC1-305-M2**



**35111-LDC1-306-M2**



**35111-LDC1-307-M2**



Sales mark	Ref no	Part no	Description	Reg description	Regd no	<b>F21</b>
------------	--------	---------	-------------	-----------------	---------	------------

35111-LDC1-305-M2	35111-LDC1-305-M2	KEY COMP (R TANGENT PLANE/TJ)	KEY COMP (R TANGENT PLANE/TJ)	1	
35111-LDC1-306-M2	35111-LDC1-306-M2	KEY COMP (L TANGENT PLANE/TJ)	KEY COMP (L TANGENT PLANE/TJ)	1	
35111-LDC1-307-M2	35111-LDC1-307-M2	KEY COMP SHUTTER MAGNETIC (TJ)	KEY COMP SHUTTER MAGNETIC (TJ)	1	



## PART NO. INDEX

PART NO.	VERSION	PAGE	PART NO.	VERSION	PAGE	PART NO.	VERSION	PAGE			
<b>11000</b>	2	E01	31334-LKJ1-900	7	F07	33144-LKJ1-305	0	F01			
			31360-LKJ1-900	0	E01	33145-LKJ1-305	0	F01			
			3150A-LKJ1-900	1	F10	33146-LKJ1-305	0	F01			
			31601-LEA7-E00	2	F16	33400-LKJ1-900	1	F14			
11203-GGC7-301			31604-LKJ1-900	0	F16	33406-LKJ1-900	1	F14			
<b>17000</b>	7	F03	31700-LKJ1-900	4	F10	33408-LKJ1-900	0	F14			
			31800-LKJ1-900	8	F10	33450-LKJ1-900	0	F14			
			31811-LKJ1-800	0	F10	33456-LKJ1-900	0	F14			
			31812-LKJ1-800	0	F10	33458-LKJ1-900	0	F14			
17910-LKJ1-900			<b>32000</b>			33600-LKJ1-900	1	F14			
<b>21000</b>	0	E01		32100-LKJ1-900	9	F16	33606-LKJ1-900	0	F14		
				21200-LKJ1-305			33608-LKJ1-900	0	F14		
				21301-LKJ1-305	0	E01	32103-LKJ1-900	6	F16	33650-LKJ1-900	0
			21395-LKJ1-900	1	E01	32105-LKJ1-900	2	F16	33656-LKJ1-900	0	F14
<b>23000</b>	1	E01	3262A-LKJ1-800	5	F16	33658-LKJ1-900	0	F14			
			<b>33000</b>	3	F01	33701-LKJ1-900	5	F15			
						33702-LKC7-900	0	F15			
						33702-LKJ1-900	0	F15			
33704-LEA2-900	0	F15									
23411-LKJ1-900			33100-LKJ1-900			33706-LEA2-900	0	F15			
23420-LKJ1-900	1	E01	33120-PRB3-900	0	F01	33708-KHE7-E00	0	F15			
23431-LKJ1-900	1	E01	33130-LKJ1-305	0	F01	33709-KHE7-E00	0	F15			
23432-LKJ1-900	1	E01	33141-LKJ1-305-L	0	F01	33720-LBB5-E00	3	F15			
<b>31000</b>	0	F18	33141-LKJ1-305-R	0	F01	33726-LBB5-E00	1	F15			
			31009-GAR1-900			33731-KHC5-M00	2	F04			
			31300-LKJ1-900	5	E01	33142-LKJ1-305	0	F01	33741-LKC6-E00	1	F15
						33143-LKJ1-305	0	F01			

## PART NO. INDEX

PART NO.	VERSION	PAGE	PART NO.	VERSION	PAGE	PART NO.	VERSION	PAGE
<b>34000</b>			36600-LKJ1-800	5	F16	<b>43000</b>		
34010-LKJ1-900	2	F16	36611-LKJ1-700	0	F10	4312A-LGM1-91A	0	F06
34300-LFG7-900	1	F16	36612-LKJ1-800	1	F16	4312A-LGM1-91B	0	F06
34901-KFA6-900	0	F01	<b>37000</b>			4312A-LKJ1-900	0	F07
34903-KPCP-900	0	F01	37119-LKJ1-900	0	F02	43141-LBC6-800	2	F06
34903-KPCP-900	0	F15	37200-LKJ1-900	9	F02	4314A-LFB6-900	1	F07
<b>35000</b>			<b>38000</b>			43151-LEB1-900	2	F07
35101-LKJ1-305-M2	0	F16	38110-KKC3-90B	2	F16	43156-LKJ1-900	1	F03
35102-LKJ1-900	0	F16	38200-KHE7-900	0	F16	43410-LKJ1-800	0	F07
35109-LKJ1-900	0	F16	38300-LEA2-900	1	F16	43450-LKJ1-900	2	F03
35111-LDC1-305-M2	0	F21	3890A-LKJ1-E00	4	F16	<b>44000</b>		
35111-LDC1-306-M2	0	F21	<b>42000</b>			44301-LGE3-900	1	F06
35111-LDC1-307-M2	0	F21	42610-KUDU-900	2	F07	44311-GLW0-901	0	F06
35119-LEB1-90B	0	F16	42705-LKJ1-900	1	F07	44610-GLW0-305	2	F06
3515A-LKJ1-900	0	F03	42710-LKJ1-900	0	F06	44620-GHC8-001	1	F06
3520A-LKJ1-900	1	F03	42710-LKJ1-900	0	F07	44705-LKJ1-900	1	F06
35340-KKJ9-010	5	F03	42710-LKJ1-900	0	F07	<b>45000</b>		
35370-LKJ1-900	2	F12	42753-0F06-900	1	F06	45000-LKJ1-800	1	F06
<b>36000</b>			42753-0F06-900	1	F07	45100-LKJ1-800	0	F06
36000-LKJ1-E00	4	F16				45133-LDA3-900	1	F06

## PART NO. INDEX

PART NO.	VERSION	PAGE	PART NO.	VERSION	PAGE	PART NO.	VERSION	PAGE
45134-2L50-001	0	F06	50502-LEA1-910	2	F12	5211A-LKJ1-900	5	E01
45145-0F96-651	2	F06	50505-LAD9-900	3	F12	52141-LKJ1-900	0	E01
45155-LKJ1-900	0	F05	50505-LKB9-900	1	F17	52144-PWB1-900	2	E01
45156-LKJ1-900	0	F05	5050A-LKJ1-900	1	F12	52400-LKJ1-900	1	F13
45410-LBC6-800	1	F06	50530-LKJ1-900	1	F12			
45435-LBC6-800	1	F06	50613-LKJ1-900	0	F17	<b>53000</b>		
45450-LKJ1-900	0	F03	5071A-LDC1-91A	1	F17			
45517-GFY6-900	5	F03	5071A-LDC1-91B	1	F17	53100-LKJ1-900	5	F03
			5071B-LDC1-91A	1	F17	53125-GEN5-901	0	F03
<b>46000</b>			5071B-LDC1-91B	1	F17	53140-GFY6-960	0	F03
						53166-GBW2-001	1	F03
46513-LEB1-900	1	F07	<b>51000</b>			53170-KTCT-800	0	F03
46514-LKJ1-900	1	F03				53172-KTCT-900	0	F03
			51400-LKJ1-800	1	F05	53175-KGBG-E00	0	F03
<b>50000</b>			51401-LKJ1-800	0	F18	53178-KGBG-E00	0	F03
			51410-LKJ1-800	0	F18	5317A-KGBG-E00	0	F03
50100-LKJ1-900	4	F17	51412-KFA1-900	0	F18	5317B-KGBG-E00	0	F03
50142-LKJ1-900	3	F09	51420-LBC6-800	0	F18	53200-LKJ1-900	1	F05
50143-LKJ1-900	0	F09	51429-LKJ1-800	0	F18	53205-LKJ1-900	1	F03
50301-KGN7-671	2	F17	51432-KFA1-900	0	F18	53206-LKJ1-900	0	F03
50302-2H68-011	2	F17	51500-LKJ1-800	1	F05	53211-GFY6-940	1	F05
50306-1F96-001	0	F05	51520-LBC6-800	0	F18	53212-2L50-011	1	F05
50320-ALF9-900	2	F15				53214-2L50-001	0	F05
50321-ALF9-900	0	F15	<b>52000</b>			53215-2L50-001	0	F05
50329-ALF9-900	1	F17						
50330-ALK5-900	2	F03	52108-LGD8-900	0	E01			

## PART NO. INDEX

PART NO.	VERSION	PAGE	PART NO.	VERSION	PAGE	PART NO.	VERSION	PAGE
<b>61000</b>			77205-KFA6-900	0	F08	8125A-LKJ1-900	0	F11
			77205-KKAK-900	0	F08			
			77206-LEA2-900	1	F08	<b>83000</b>		
61100-LKJ1-900	0	F04	77206-LKB9-900	1	F08			
61110-LKJ1-900	0	F04	77235-LEA1-900	7	F08	83500-LKJ1-900	1	F11
<b>64000</b>			77240-LKJ1-900	0	F16	83501-LKJ1-900	0	F11
			77303-LCD3-E00	2	F08	83510-LKJ1-900	1	F11
			77330-LKJ1-900	2	F17	83551-KKAK-900	0	F17
64301-LKJ1-900	0	F04			83600-LKJ1-900	1	F11	
64302-LKJ1-900	0	F04	<b>80000</b>		83601-LKJ1-900	0	F11	
64304-LKJ1-900	1	F04			83610-LKJ1-900	1	F11	
64305-LKJ1-900	0	F04	80100-LKJ1-900	1	F15	83750-LKJ1-900	1	F11
64306-LKJ1-900	0	F04	80101-LKJ1-900	0	F15	8376A-KECE-901	2	F11
64310-LKJ1-900	0	F04	80103-LKJ1-900	1	F15			
64313-LKJ1-900	0	F04	80105-LKJ1-900	0	F15	<b>86000</b>		
64314-LKJ1-900	0	F04	80151-LKJ1-900	1	F11			
64315-LKJ1-900	1	F17				86102-AAA7-700	0	F20
64316-KHE2-900	1	F04	<b>81000</b>			86102-LCA5-900	4	F20
64400-LKJ1-900	0	F04				86102-LKJ1-900	0	F03
<b>77000</b>			81130-LKJ1-900	0	F04	86102-LKJ1-900	0	F20
			81131-LKJ1-900	2	F04	86201-LKJ1-E90	1	F20
			81132-LFG6-900	2	F04			
77106-KKE5-E00	1	F11	81133-LKJ1-900	0	F04	<b>87000</b>		
77107-KKE5-E00	1	F11	81134-LKJ1-900	0	F04			
77110-LKJ1-900	1	F08	81141-LKJ1-900	0	F04	87224-LKJ1-E00	1	F19
77200-LKJ1-E01	1	F08	81142-KUDU-900	1	F04	87505-LKJ1-E00	2	F19

## PART NO. INDEX

PART NO.	VERSION	PAGE	PART NO.	VERSION	PAGE	PART NO.	VERSION	PAGE
87541-ALK5-E00	0	F19	90302-SDA4-004	2	F11	91009-GLE0-004	1	E01
87541-LKJ1-800	0	F19	90304-GHE8-004	0	F03	91202-KKJ9-004	0	E01
<b>88000</b>			90304-GLW0-90A	1	E01	91251-LAB4-900	0	F18
			90304-GLW0-90A	1	F13	91255-GLE0-006	0	E01
			90305-KFW6-91A	1	F07	91303-LHF3-E00	0	E01
			90306-LFE2-900	1	F06	91303-PUA5-E00	3	F07
88110-LKJ1-900	0	F03	90309-GLW0-90A	1	F06	<b>93000</b>		
88120-LKJ1-900	0	F03	90309-GLW0-90A	1	F07			
<b>90000</b>			90309-KLF0-004	1	E01			
			90474-3C33-001	1	E01		93404-06012-06	0
			90554-2C83-001	0	F18	93404-06012-06	0	F10
			90601-GAR1-900	0	F18	93404-06012-06	0	F15
90106-GEN5-901	1	F03	90651-LGE5-E00	1	F17	93404-06012-06	0	F17
90106-KUDU-900	1	F17	90652-LCA4-E00	1	F11	93404-06016-06	0	F04
90108-KKC4-900	1	F12	90652-LFB5-900	3	F04	93404-06016-06	0	F12
90110-KHG8-901	1	F06	90656-KCBC-900	0	F03	93404-06030-06	0	F04
90110-LKJ1-900	0	F04	90656-KUDU-900	0	F16	93404-KKC2-900	1	F11
90115-GLE0-001	0	F03	90662-LHJ3-900	0	F17	93500-05016-0F	0	F16
90164-MDR4-901	1	F04	90663-LHJ3-900	0	F16	93500-KHC4-90A	0	F16
90215-ALK5-900	0	F04	90664-LKJ1-900	0	F04	93891-05016-08	0	F16
90215-ALK5-900	0	F15	90754-GHC8-00A	1	F06	93891-05030-06	0	F03
90302-GBR2-001	1	F04	90912-GHC8-00A	0	F06	93901-24220	0	F14
90302-KEC8-900	1	F03	<b>91000</b>			93901-24460	0	F14
90302-LKB9-900	2	F03				93901-32110	0	F01
90302-LKB9-900	2	F04				93901-LEA2-307	0	F15
90302-LKB9-910	1	F11				93903-25260	0	F14
90302-LLB1-E00	2	F03	91003-KDS4-004	2	E01			
90302-LLB1-E00	2	F10						

## PART NO. INDEX

PART NO.	VERSION	PAGE	PART NO.	VERSION	PAGE	PART NO.	VERSION	PAGE
93903-34220	0	F01	94050-06080	0	F08	95701-08012-06	0	F16
93903-34360	0	F03	94050-08060	0	F16	95701-08025-06	0	F16
93903-34360	0	F11	94101-05600	0	F16	95701-08030-06	0	E01
93903-34360	0	F15	94101-06700	0	F04	95701-08035-06	1	E01
93903-34460	0	F15	94101-ALL3-900	2	F16	95701-08040-06	0	E01
93903-35260	0	F02	94111-05800	0	F16	95701-08055-06	0	E01
93903-35260	0	F04	94301-10160	0	E01	95801-08035-06	1	F13
93903-35260	0	F11	94510-20000	0	E01	95801-08040-06	0	F05
93903-35360	0	F01	94591-LLB1-900	0	F10	95801-10025-06	0	E01
93903-35360	0	F04	94605-LKJ1-800	0	F18	95801-10025-06	0	F12
93903-45260	0	F02				95801-10040-06	0	F13
93903-45260	0	F03	<b>95000</b>			95801-10065-06	0	E01
93903-45360	0	F04						
93903-45360	0	F11	95014-72204	0	F12	<b>96000</b>		
93903-GFY6-900	1	F15	95014-LBC6-900	0	F12			
			95015-32001	0	F03	96001-06012-06	0	F08
<b>94000</b>			95015-42000	0	F03	96001-06014-06	0	F10
			95701-06008-06	1	F10	96001-06014-06	0	F16
94001-05080-0S	0	F03	95701-06012-06	1	F05	96001-06014-06	0	F17
94001-05080-0S	0	F16	95701-06012-06	1	F10	96001-06025-06	0	F03
94001-ALL3-900	0	F16	95701-06012-06	1	F15	96001-06032-06	0	F17
94050-06000	0	F06	95701-06012-06	1	F16	96001-06040-06	12	F17
94050-06060	0	F09	95701-06014-06	0	F15	96100-60020-00	0	E01
94050-06060	0	F10	95701-06028-06	0	F06	96100-62020-00	0	E01
94050-06060	0	F15	95701-06032-06	0	F07	96100-62030-00	0	E01
94050-06060	0	F16	95701-08012-06	0	E01	96100-62043-00	0	E01



## PART NO. INDEX

PART NO.	VERSION	PAGE	PART NO.	VERSION	PAGE	PART NO.	VERSION	PAGE
96211-05000	0	F05						
96211-08000	0	F05						
96600-LKJ1-800	0	F18						
<b>98000</b>								
98200-30200	0	F15						
98200-30200	0	F16						
98200-30500	0	F15						
98200-30500	0	F16						
98200-31000	1	F15						
98200-31000	1	F16						
98200-LKF5-E00	0	F16						

